



figure

274

ends
formflange
angle **FLOAT VALVE**

body material	nominal pressure	nominal diameter	max temperature
A grey cast iron	B 10 bar	DN 25-200	120°C



correspond to the pressure equipment directive 97/23/EC
marking CE for $D_n \geq 32$

FEATURES

- high tightness (leakproofness class - A acc. EN - 12266 - 1)
- environment-friendly
- no maintenance
- flanges drilled according to EN 1092-2
- face-to-face dimension according to EN 558-1 series 8

APPLICATION

- hot and cold water plants
- neutral fluids
- industrial technologies
- heat engineering

Data given can be changed without notice.

Edition 09/2011



figure

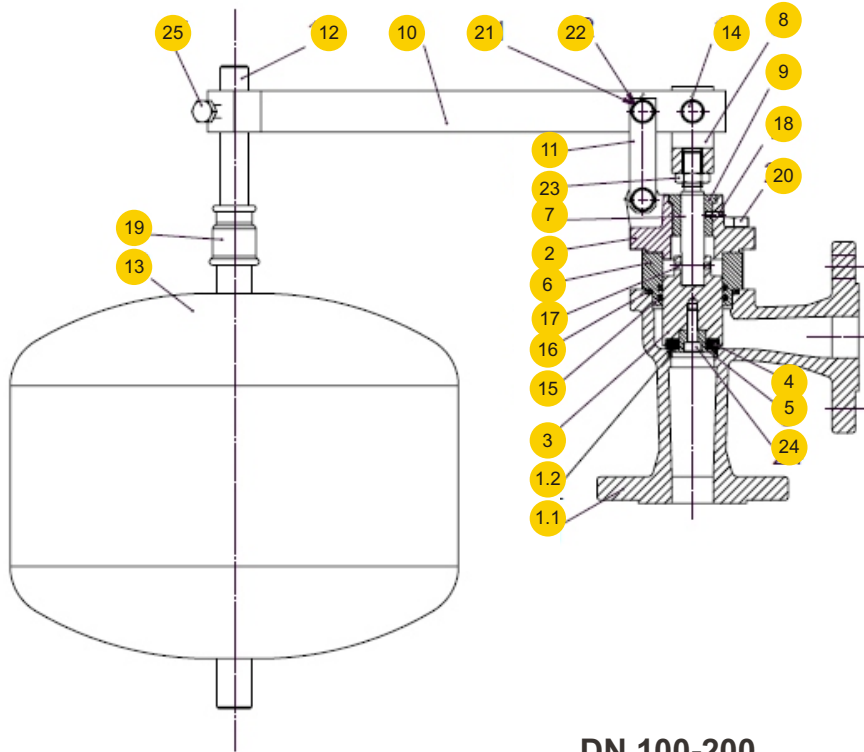
274

ends
form

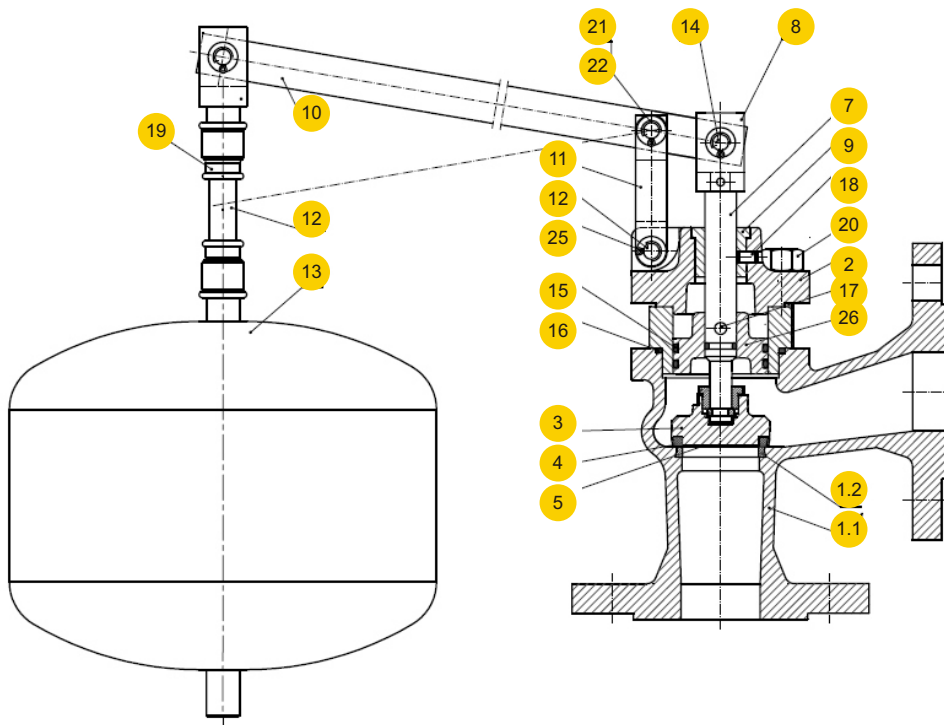
flange
angle

MATERIALS

DN 25-80



DN 100-200





figure

274

ends
form

flange
angle

MATERIALS

	body material	A	
		06 (DN 25-80)	06 (DN100-200)
	type		
1.1	body	EN – GJL-250 JL1040	
1.2	seat ring	X12Cr13 1.4006	
2	cover	EN – GJL-250 JL1040	
3	disc	X20Cr13 1.4021	G-X20Cr14
4	disc gasket	EPDM	
5	gasket holder	X20Cr13 1.40021	-----
6	piston sleeve	CuZn39Pb	CuSn11 P.-C
7	stem	X20Cr13 1.4021	
8	stem fork	S235JR zinc galvanized	
9	stem sleeve	CuZn39Pb	
10	lever	S235JR zinc galvanized	
11	connector	S235JR zinc galvanized	
12	rod	S235JR zinc galvanized	-----
13	float	S235JR epoxide	
14	pin	X20Cr13 1.40021	
15,16	packing ring	EPDM	
17,18	straight pin	carbon steel	
19	reducer	malleable cast iron	
20	hexagon bolt	8.8 A2A	
21	washer	carbon steel	
22	cotter pin	X5CrNi18-10 1.4301	
23	nut	8.8 A2A	-----
24	bolt	A2-70	-----
25	hexagon bolt	8.8 A2A	-----
26	piston	-----	CuSn11 P.-C
max. temperature		120°C	

Data given can be changed without notice.

Edition 09/2011



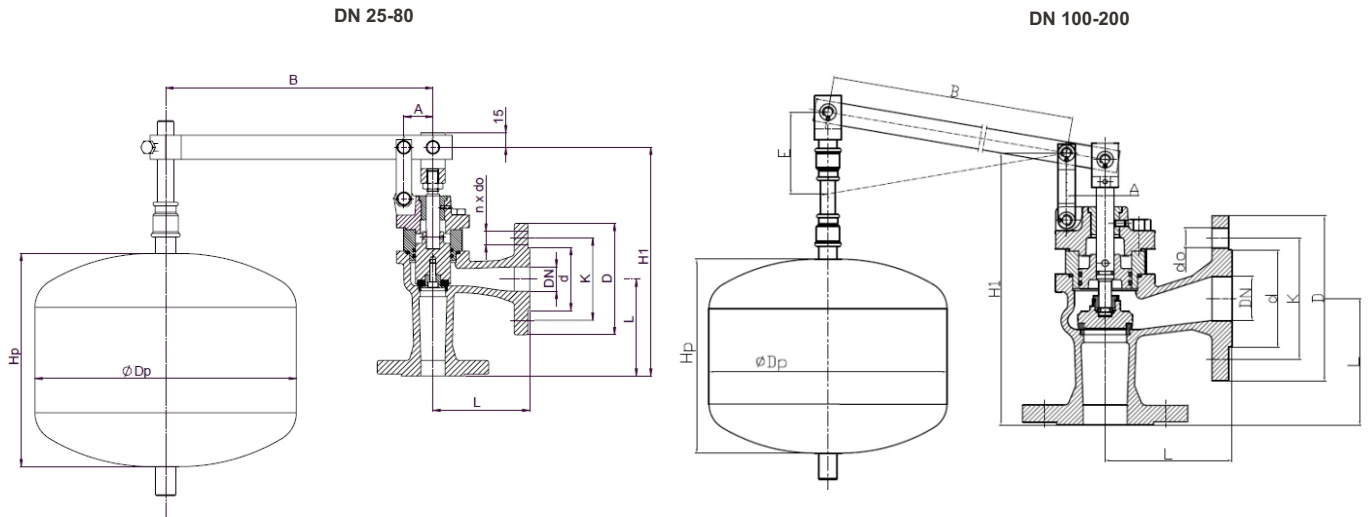
figure

274

ends
form

flange
angle

DIMENSIONS



DN	PN 10													Kvs	kg
	D	L	K	d	do	n	A	B	E	H1	Hp	Dp			
mm													m ³ /h	kg	
25	115	100	85	65	14	4	30	700	-	236	220	270	16	9,5	
32	140	105	100	75	19	4	30	700	-	244	220	270	22	10,7	
40	150	115	110	84	19	4	35	700	-	262	200	350	31	15,0	
50	165	125	125	99	19	4	35	700	-	277	200	350	50	20,0	
65	185	145	145	118	19	4	45	700	-	341	250	400	78	26,0	
80	200	155	160	132	19	8	55	800	-	352	250	400	90	29,0	
100	220	175	180	156	19	8	70	900	360	391	300	400	130	37,0	
125	250	200	210	184	19	8	85	1100	440	480	300	500	196	54,0	
150	285	225	240	211	23	8	100	1200	480	549	300	500	266	81,0	
200	340	275	295	266	23	8	135	1450	590	663	400	500	450	130,0	

Data given can be changed without notice.

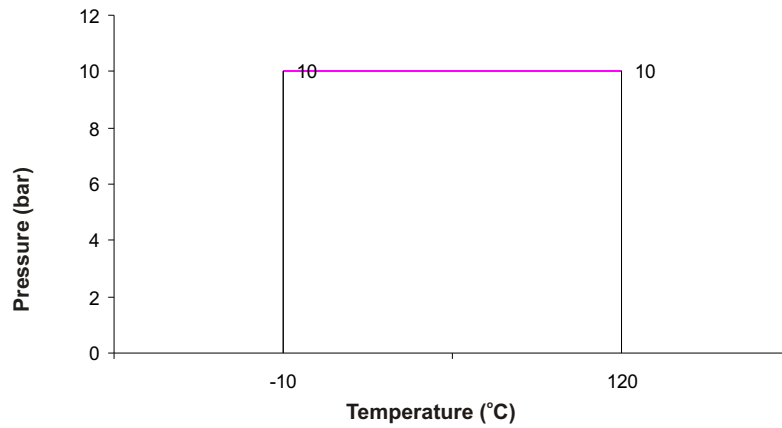
Edition 09/2011



figure 274

ends form flange angle

PRESSURE-TEMPERATURE RATINGS

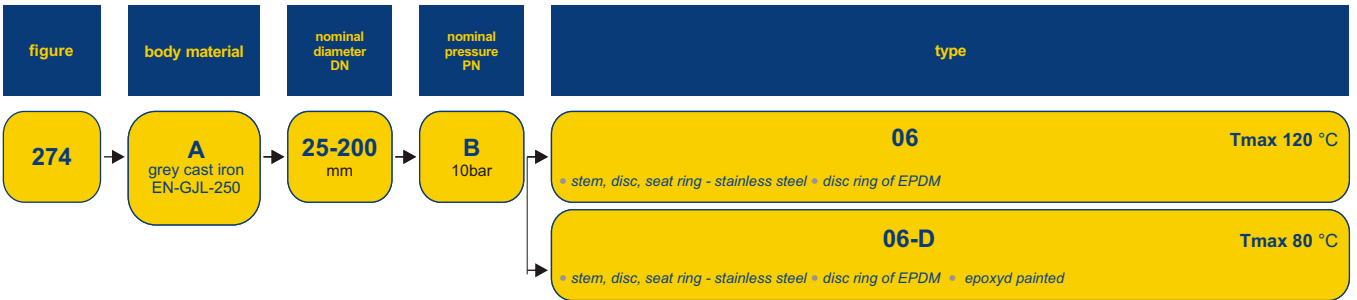


Allowed working conditions range
PN 10 EN-GJL-250



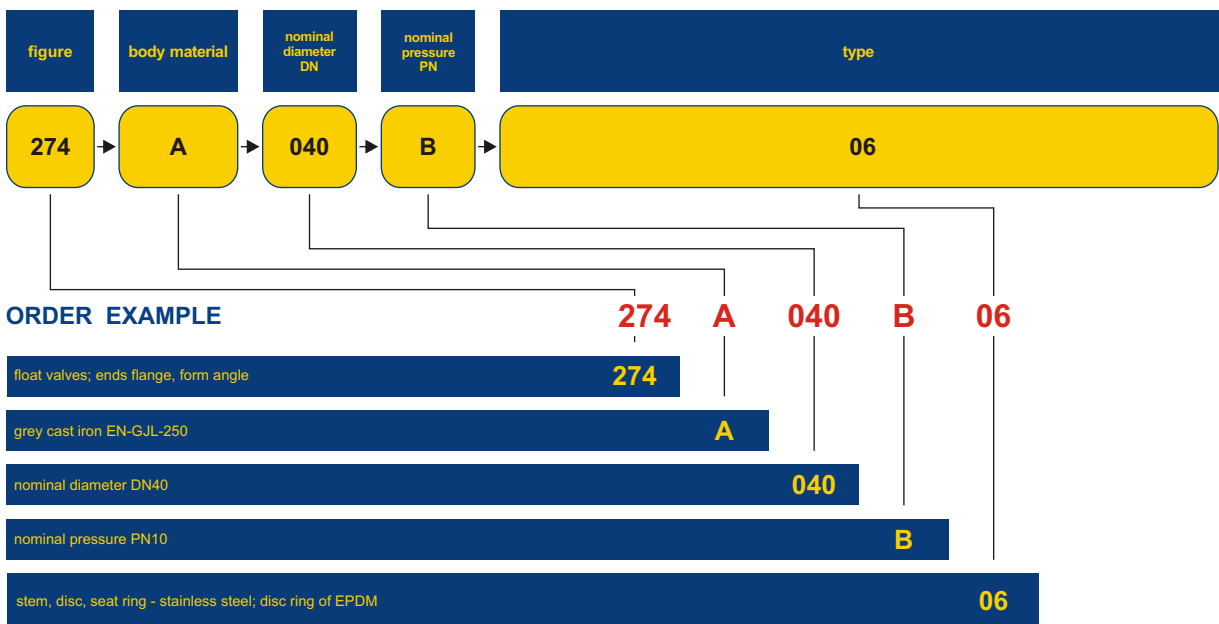
figure	274
ends form	flange angle

TYPES



ORDERING

To place an order please use our product number (index)



Data given can be changed without notice.

Edition 09/2011