



figure

498

ends
formwafer type
straight

BUTTERFLY VALVE



body material	nominal pressure	nominal diameter	max. temperature
A grey cast iron	C 16 bar	DN 32-150	110°C
	B 10 bar	DN 200-300	
B nodular cast iron	C 16 bar	DN 32-150	110°C
	B 10 bar	DN 200-300	

FEATURES

- high tightness
- seat materials EPDM
- central disc bearing
- environment-friendly

APPLICATION

- cold and cooling water plants
- heating installations
- drinking and domestic water
- gas instalation
- wase instalation
- scipbuilding
- power instalations

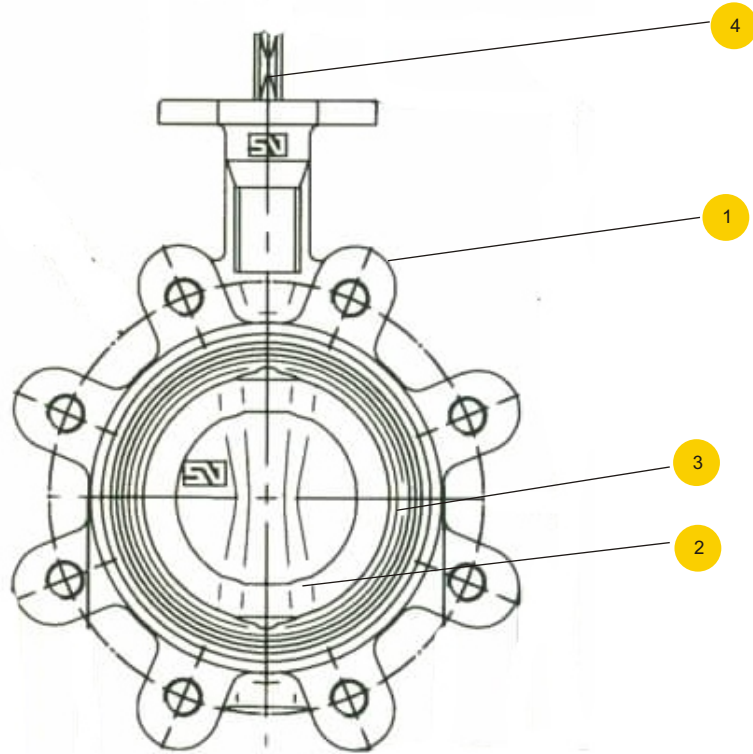
Data given can be changed without notice.

Edition 01/2011



figure	498
ends form	wafer type straight

MATERIALS



body material		A	B
type		66	36
1	body	EN-GJL-250 JL 1040 + EPOXY	EN-GJS-400-15 JS 1030 + EPOXY
2	disc	EN-GJS-400-15 JS 1030 + EPOXY	X6CrNiMoTi 17-12-2
3	seat	EPDM	
4	stem	X20Cr13 1.4021	
max. temperature		110°C	110°C



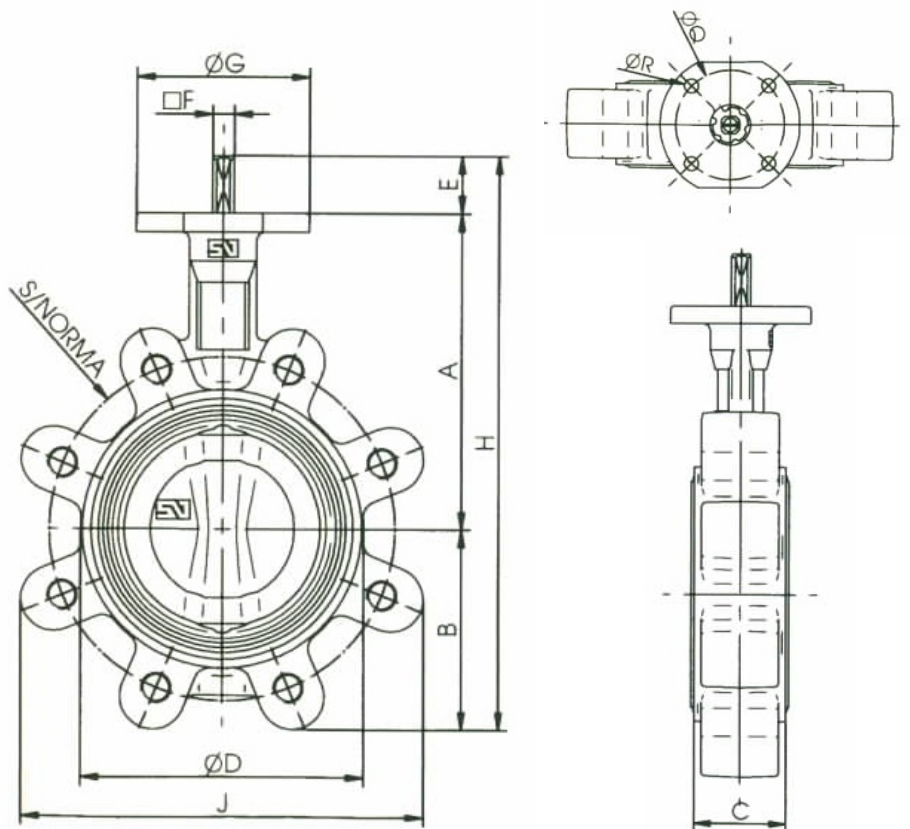
figure

498

ends
form

wafer type
straight

DIMENSIONS



DN		A	B	C	D	E	F	G	H	J	Q	R		ISO
mm	inch	mm											kg	
32	1 1/4"	110	54	33	76	30	11	90	194	108	70	4x9	2,0	F-07
40	1 1/2"	110	54	33	76	30	11	90	194	108	70	4x9	2,0	F-07
50	2"	120	59,5	43	100	30	11	90	209,5	119	70	4x9	2,9	F-07
65	2 1/2"	135	66,5	46	108	30	11	90	231,5	133	70	4x9	3,3	F-07
80	3"	141	91	46	124	30	11	90	262	182	70	4x9	4,7	F-07
100	4"	165	105	52	147	30	11	90	300	209,5	70	4x9	6,3	F-07
125	5"	180	125	56	180	33	14	90	338	250	70	4x9	9,8	F-07
150	6"	193	136,5	56	206	33	14	90	362,5	273	70	4x9	10,5	F-07
200	8"	225	171	60	257	33	17	90	429	341,5	70	4x9	17,2	F-07
250	10"	282,5	210	68	324	23	22	130	515,5	396	102	4x12	26,8	F-10
300	12"	308	240	78	383	23	22	130	571	465	102	4x12	41	F-10

Data given can be changed without notice.

Edition 01/2011



figure	498
ends form	wafer type straight

TYPES

figure	body material	nominal diameter DN	nominal pressure PN	type
498	A grey cast iron EN-GJL-250	32-150 mm	C 16bar	66 Tmax 110 °C * disc - ductile iron covered by epoxy layer * catch lever * EPDM sealing
		200-300 mm	B 10bar	66 Tmax 110 °C * disc - ductile iron covered by epoxy layer * catch lever * EPDM sealing
	B nodular cast iron EN-GJS-400-15	32-150 mm	C 16bar	36 Tmax 110 °C * disc - stainless steel * catch lever * EPDM sealing
		200-300 mm	B 10bar	36 Tmax 110 °C * disc - stainless steel * catch lever * EPDM sealing

ORDERING

To place an order please use our product number (index)



ORDER EXAMPLE

