

USERS MANUAL

Bellow valve

zBEL

Fig. 234, 235

Edition: 03/2017

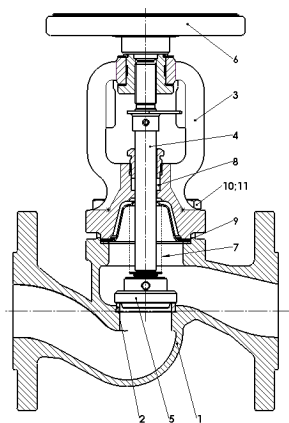
Date: 21.03.2017

CONTENTS

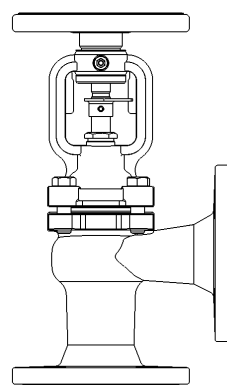
1. Product description
2. Requirement for maintenance staff
3. Transport and storage
4. Function
5. Application
6. Assembly
7. Maintenance
8. Service and repair
9. Reasons of operating disturbances and remedy
10. Valve service discontinuity
11. Warranty terms

1. PRODUCT DESCRIPTION

Bellow sealed globe valves are manufactured at different executions, they are used as stop valves and throttling valves. Stop valves are designed only for shut off and open the flow, throttling valves are designed for flow control. Stem sealing is performed by flexible bellow and additional protecting gland.



Bellow valve Fig.234

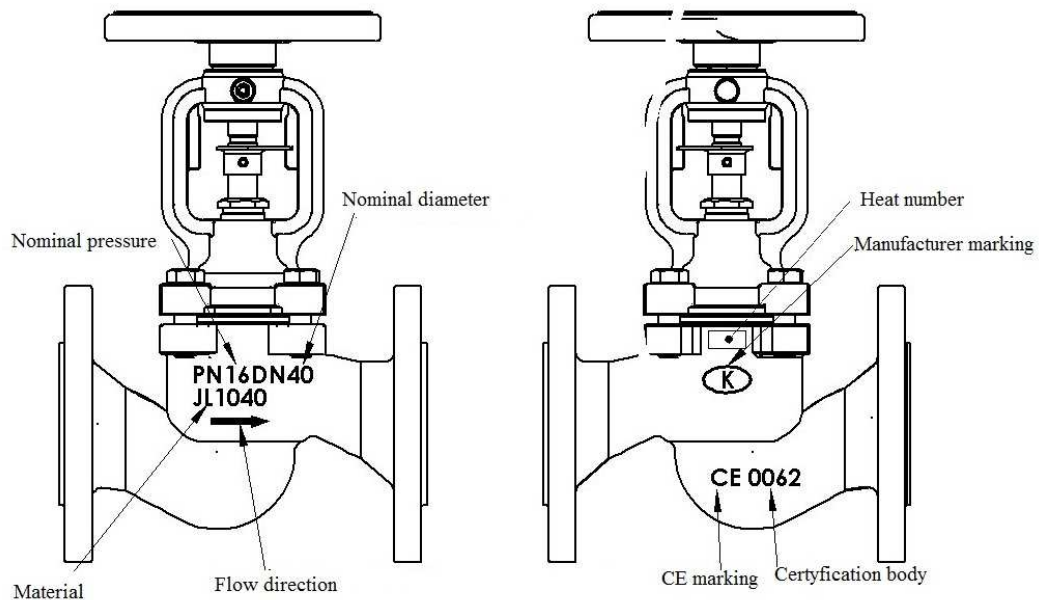


Bellow valve Fig. 235

Nr	Body material	Material			
		EN-GJL250	EN-GJS400-18LT	GP240GH	GX5CrNiMo19-11-2
1	Body	EN-GJL250	EN-GJS400-18LT	GP240GH	GX5CrNiMo19-11-2
2	Seat ring	X20Cr13		Stainless steel	X5CrNiMo17-12-2
3	Bonnet	EN-GJS400-18LT		GP240GH	X6CrNiMoTi17-12-2
4	Stem	X20Cr13			X6CrNiMoTi17-12-2
5	Disc	X20Cr13			X6CrNiMoTi17-12-2
6	Hand wheel	steel			
7	Bellow	X6CrNiMoTi 17-12-2			
8	Gland packing	Graphite			
9	Gasket	Graphite +CrNiSt			
10	Bolt	8.8	A2-70	25CrMo4	A4-70
11	Nut	-----	-----	25CrMo4	A4

Bellow sealed valves are provided with casted marking according to requirements of PN-EN19 standard. The marking facilitates technical identification and contains:

- nominal diameter DN (mm),
- nominal pressure PN (bar),
- body and bonnet material marking,
- arrow indicating medium flow direction,
- manufacturer marking,
- heat number,
- CE marking, for valves subjected 2014/68/UE directive. CE marking starts from DN32

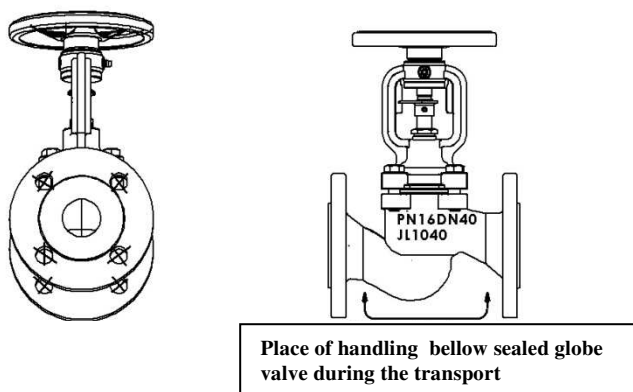


2. REQUIREMENTS FOR MAINTENANCE STAFF

The staff assigned to assembly, operating and maintenance tasks should be qualified to carry out such jobs. If the valve is provided with mechanical actuators, operating manual of actuator should be obeyed. If during valve operation heat parts of the valve, for example handwheel, body or bonnet parts could cause burn, user is obliged to protect them against touch.

3. TRANSPORT AND STORAGE

Transport and storage should be carried out at temperature from -20°C to 65°C , and valves should be protected against external forces influence and destruction of painting layer as well. The aim of painting layer is to protect the valves against rust during transport and storage. Valves should be kept at unpolluted rooms and they should be also protected against influence of atmospheric conditions. There should be applied drying agent or heating at damp rooms in order to prevent condensate formation. The valves should be transported in such a way to avoid handwheel and valve stem damage.



It is not allowed to fit lifting devices to connecting holes and handwheel.

4. FUNCTION

Valves with stop disc are designed for shut off medium flow, valves with throttling disc enable to control the flow.

5. APPLICATION

- industry
- heating
- refrigeration and air conditioning
- hot and cold industrial water
- industrial oils
- steam
- compressed air
- neutral fluids - gases and liquids of group 1 and 2 according to Regulation EC No 1272/2008 resulting from the practice of using

The kind of working medium makes some materials to be use or to be prohibited for use. Valves were designed for normal working conditions. In the case that working conditions exceed these requirements (for example for aggressive or abrasive medium) user should ask manufacturer before placing an order. When selecting the valve for specific medium, "List of Chemical Resistance" can be helpful. It can be found at manufacturer website near catalogue cards.

Working pressure should be adapted to maximum medium temperature according to the table as below.

Acc to EN 1092-2		Temperature [° C]					
Material	PN	-10 up to 120	150	200	250	300	350
EN-GJL250	16	16 bar	14,4 bar	12,8 bar	11,2 bar	9,6 bar	-----
EN-GJS400-18 LT	16	16 bar	15,5 bar	14,7 bar	13,9 bar	12,8 bar	11,2 bar
EN-GJS400-18 LT	25	25 bar	24,3 bar	23 bar	21,8 bar	20 bar	17,5 bar

Acc to EN 1092-1		Temperature [° C]								
Material	PN	from -60 up to -10	-10 up to 120	100	150	200	250	300	350	400
GP240GH	40	30 bar	40 bar	37,3 bar	34,7 bar	30,2 bar	28,4 bar	25,8 bar	24 bar	23,1 bar



Valves made of cast steel GP240GH working at temperatures above 400° C can not operate for more than 100,000 hours because of the creep of a material.

6. ASSEMBLY

During the assembly of bellow valves following rules should be observed:

- to evaluate before an assembly if the valves were not damaged during the transport or storage and to make sure that applied valves are suitable for working conditions and medium used in the plant,
- to take off dust caps if the valves are provided with them,
- to protect the valves during welding jobs against splinters and used plastics against excessive temperature,
- steam pipelines should be fitted in such a way to avoid condensate collection; in order to avoid water hammer steam trap should be applied



Pipeline where the valves are fitted should be conducted and assembled in such a way that the valve body is not subjected to bending moment and stretching forces.

Bolted joints on the pipeline must not cause additional stress resulted from excessive tightening, and fastener materials must comply with working conditions of the plant,

- during pipeline painting valve stem should be protected,
- valves can be assembled in any position, however it is recommended to install the valve with handwheel upwards,



It should be take note of medium flow direction, marked with an arrow on the body and flow direction is established by the followings rules:

	Stop valve PN6 – PN25	Throttling valve PN16 – PN25	Stop valve PN40
Under the disc	DN15 DN150	DN15 – DN200	DN15 – DN100
On the disc	DN200 DN250	-	DN125 – DN200

- before plant startup, especially after repairs carried out, flash out the pipeline through entirely open valve, in order to avoid solid particles or welding splinters which may be harmful for sealing surfaces,
- strainer (wire mesh filter) installed before the valve increases certainty of its correct action.
- during valve operation, hot parts of the valve, such as parts of the hull, may cause burns. User should place insulation shields and warning signs, if necessary.
- **plant designer, contractor and user are responsible for valve selection suitable for working conditions.**

The valves have been designed for applications independent to external conditions. Where it exists danger on corrosion caused by external conditions (weather, aggressive gases, gases, etc.), corrosion protection or special arrangements with the manufacturer are recommended.

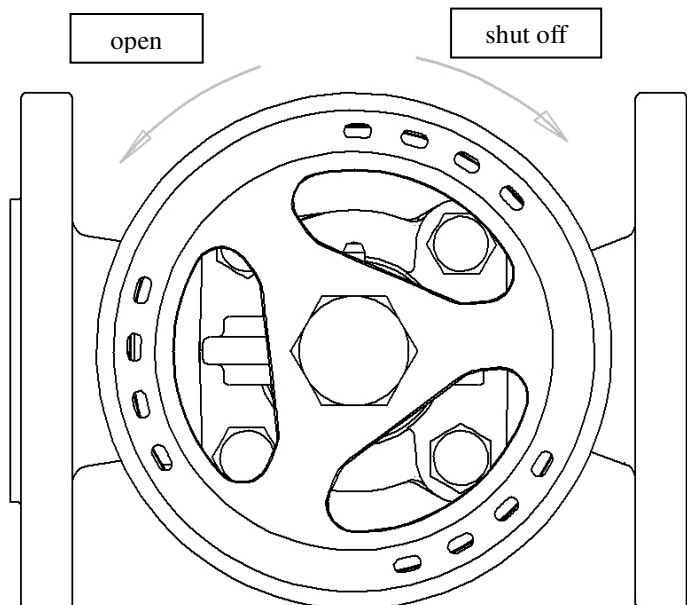


The GP240GH carbon steel valves must not be installed as the final pipeline component if the valve temperature is less than 10 °C or higher than 400 °C.

7. MAINTENANCE

During maintenance following rules should be observed:

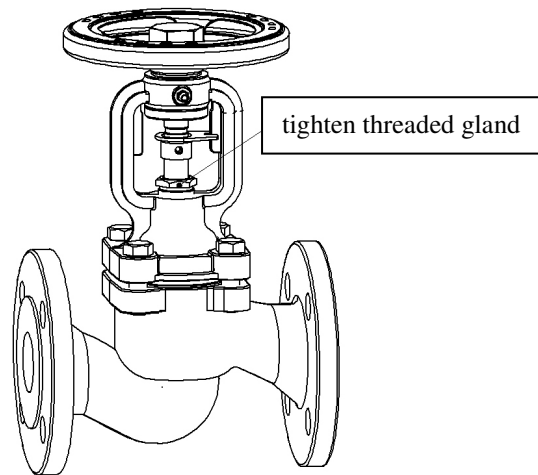
- startup process – sudden changes of pressure and temperature should be avoided when starting the plant,
- valve is closed by turning the handwheel clockwise when looking from above the handwheel (according to arrow direction marked on the handwheel),
- valve is opened by turning the handwheel counter-clockwise.



It is prohibited to use additional lever when turning the handwheel

- performance of fitted valves can be checked by multiple closing and opening.

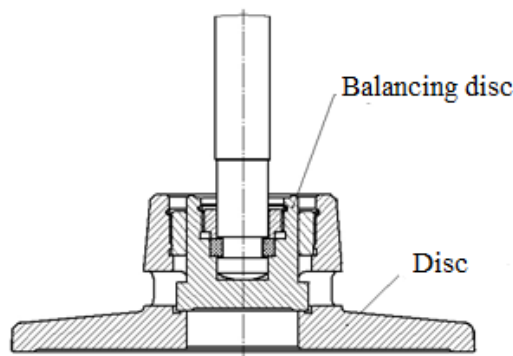
- if leakage on stem occurs in valves Fig.234, 235 it is necessary to tighten with moderate force two T-bolt nuts pressing the packing gland until the leakage disappears.



Leakage on the gland packing means that bellow was damaged. Upper part of the valve should be replaced immediately.

For safety assurance, each valve should be controlled and maintenance regularly especially this one which is operated rarely. The frequency of these activities has to be defined by user.

- valves in which there is an inflow over the disc are equipped with a balancing disc as shown below. Turning the handwheel to the left raises the balancing disc which results in equalization of upstream and downstream pressure. After pressure equalization the valve can be opened completely. The balancing disc operation is effective only in closed systems. In an open system where it is impossible to equalize pressure the balancing is ineffective. In this case, it is recommended to consider introduction of other structural solutions, e.g. a by-pass.



The maximum differential pressure that can apply on both sides of the closing valve (the valve is closed) in valves where there is flow of the plug see in the table below.

PN	Differential pressure [bar]					
	DN15-100	DN125	DN150	DN200	DN250	DN300
6	6	6	6	6	6	6
16	16	16	16	14	9	6
25	25	25	21	14	9	6
40	40	33	21	14	9	6

8. SERVICE AND REPAIR



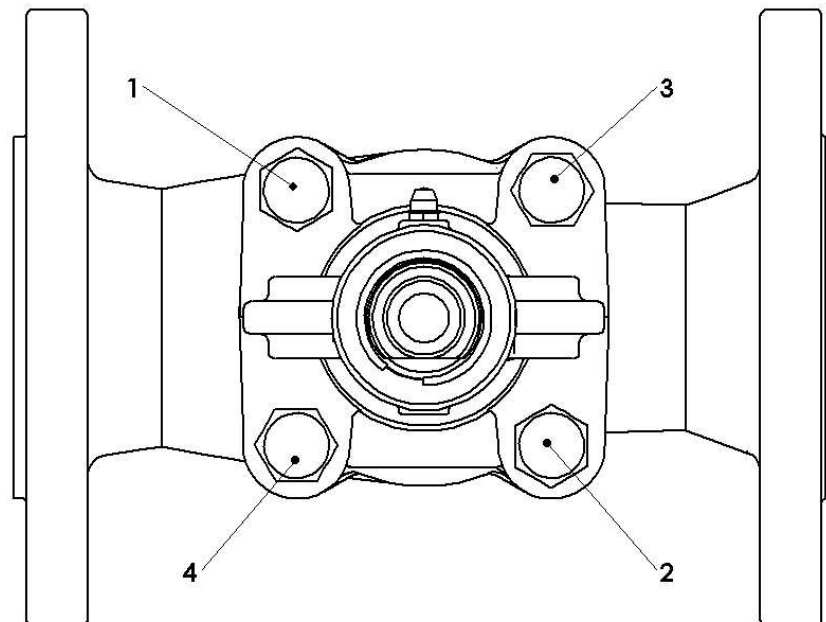
For safety assurance, each valve should be controlled and maintenance regularly especially this one which is operated rarely. The frequency of these activities has to be defined by user on the basis of working (operating) conditions, nevertheless at least once a month. The stem thread has to be lubricated periodically.

All service and repair jobs should be carried out by authorized staff using suitable tools and original spare parts. Before disassembly of complete valve from the pipeline or before service, the pipeline should be out of operation. During service and repair jobs it is necessary to decrease pressure to 0 bars, valve temperature to ambient temperature and to use personal health protectives in pursuance of existing threat. After valve disassembly it is necessary to replace flange connection gaskets between valve and pipeline



Precautions should be taken when touching gasket between body and valve bonnet. The gasket contains stainless steel stripe that may cause injury,

Everytime when valve bonnet was disassembled sealing surface should be cleaned. During assembly it should be applied new gasket of the same type as previously used. Body-bonnet bolt connections should be tighten when the valve is at open position. The bolts should be tighten evenly and crosswise by torque wrench.



- Tighten torques

Screw	Torque
M8	15-20 Nm
M10	35 -40 Nm
M12	65 – 70 Nm
M16	140 -150 Nm

- before valves re-assembly in the pipeline it is necessary to check valve operation and tightness of all connections. Tightness test should be carried out with water pressure of 1,5 nominal pressure of the valve.

9. REASONS OF OPERATING DISTURBANCES AND REMEDY

- When seeking of valve malfunction reasons safety rules should be strictly obeyed

Fault	Possible reason	Remedy
No flow	Valve closed	Open the valve
	Flange dust caps were not removed	Remove dust caps on the flanges
Poor flow	Valve is not open enough	Open the valve
	Dirty filter	Clean or replace the screen
	Clogged pipeline	Check the pipeline
Control difficulties	Dry stem	Grease the stem
	Gland packing tighten too much	Slightly slacken gland nuts. Put attention to keep stuffing box tightness
Stem leakage	Bellow damage	Tighten the gland until tightness will be reached. Replace upper part of the valve as soon as possible.
Seat leakage	Shut off not correct	Tighten the handwheels without any auxiliary tools
	Seat or disc damage	Replace the valve and contact supplier or manufacturer
	Pressure difference too much	Apply valve with balancing disc. Check if the valve was assembled according to arrow direction marked on the valve.
	Medium polluted with solid particles	Clean the valve. Fit strainer before the valve.
Broken connecting flange	Bolts tighten unevenly	Replace the valve with new one

10. VALVE SERVICE DISCONTINUITY

All obsolete and dismantled valves must not be disposed with household waste. ZETKAMA valves are made of materials which can be re-used and should be delivered to designated recycling centers.

11. WARRANTY TERMS

- ZETKAMA grants quality warranty with assurance for proper operation of its products, providing that assembly of them is done according to the users manual and they are operated according to technical conditions and parameters described in ZETKAMA's catalogue cards. Warranty period is 18 months starting from assembly date, however not longer than 24 months from the sales date.

- warranty claim does not cover assembly of foreign parts and design changes done by user as well as natural wear.

- immediately after detection the user should inform ZETKAMA about hidden defects of the product

- a claim should be prepared in written form.

Address for correspondence :

ZETKAMA Sp. z o.o.
ul. 3 Maja 12
57-410 Ścinawka Średnia

Phone +48 74 86 52 111
Fax +48 74 86 52 101
Website: www.zetkama.com