

STOP VALVE WITH PNEUMATIC ACTUATOR zGLO



Body material	Nominal pressure	Nominal diameter	Max. temperature
A Grey cast iron	C 16 bar	DN 15-150	300°C
C Nodular cast iron	C 16 bar D 25 bar	DN 15-150	350°C



correspond to the pressure equipment directive 2014/68/UE marking CE for DN≥32

FEATURES

- leakproofness class - A acc. EN -12266 – 1 – type 01
- leakproofness class IV acc. PN-EN 60534-4 - type 71
- environment-friendly
- tests acc. EN - 12266 - 1
- flanges drilled according to EN 1092-2
- face-to-face dimension according to EN 558 series 1

APPLICATION *

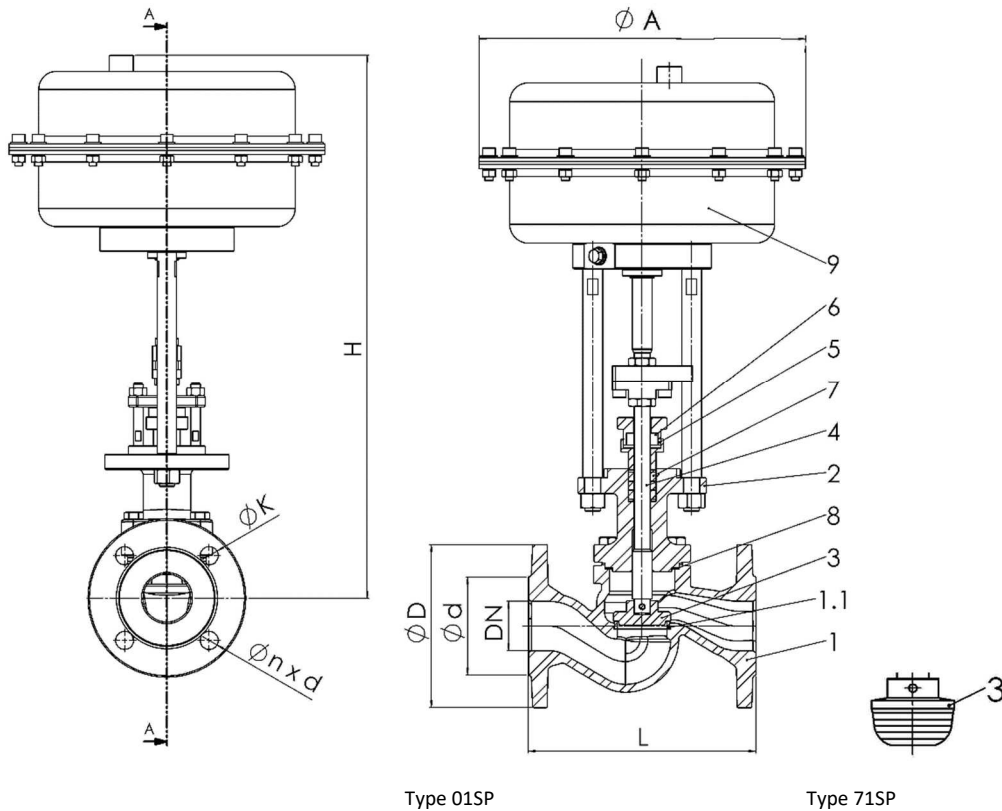
* not all of the applications are suitable for all of the executions

industries						
	INDUSTRY	SHIPBUILDING INDUSTRY	HEATING	REFRIGERATION AND AIR CONDITIONING		
Media						
	GLYCOL	INDUSTRIAL WATER	DIATHERMIC OIL	STEAM	COMPRESSED AIR	NEUTRAL FLUIDS

Data given can be changed without notice.

Edition 01/2018

MATERIALS, DIMENSIONS



Type 01SP

Type 71SP

Body material		A	C
Type		01SP ; 71SP	
1	Body	EN – GJL-250 5.1301 (ex. JL1040)	EN – GJS-400 – 18-LT 5.3103 (ex.JS1025)
1.1	Seat ring	X20Cr13 1.4021	
2	Bonnet	EN – GJS-400 – 18-LT 5.3103 (ex.JS1025)	
3	Disc	X20Cr13 1.4021	
4	Stem	X20Cr13 1.4021	
5	Gland	GP240GH 1.0619 / P265GH 1.0425	
6	Disc spring	50HG	
7	Gland packing	Graphite	
8	Gasket	Graphite	
9	Actuator	Pneumatic	
Max. temperature		300°C	350°C

Data given can be changed without notice.

Edition 01/2018

ZETKAMA Sp. z o.o.
Ul. 3 Maja 12
PL 57-410 Ścinawka Średnia

Tel. +48 74 8652 193
Tel. +48 74 8652 111
Fax +48 74 8652 199

E-mail export@zetskama.com.pl
www.zetskama.com

DN	15	20	25	32	40	50	65	80	100	125	150
L (mm)	130	150	160	180	200	230	290	310	350	400	480
H (mm)											
H (SP280 A=247)	478	478	479	493	507	516	534	551	597,5	611,5	633,5
H (SP530 A=347)	---	---	---	---	---	567	585	602	648,5	662,5	684,5
H (SP1000 A=491)	---	---	---	---	---	---	645	662	708,5	722,5	744,5

PRESSURE-TEMPERATURE RATINGS

	PN		-10°C÷120°C	150°C	200°C	250°C	300°C	350°C
EN-GJL-250	16	bar	16	14,4	12,8	11,2	9,6	---
EN-GJS-400-18 LT	16		16	15,5	14,7	13,9	12,8	11,2
	25		25	24,3	23	21,8	20	17,5

MAX PERMISSIBLE CLOSING PRESSURES (on flow to open P2=0)

ACTUATOR	Power pressure (kPa)	DN										
		15	20	25	32	40	50	65	80	100	125	150
SP280	140	21,5	16,8	11,74	7,9	5,8	3,6	2,1	1,5	1	0,6	0,4
	250	64,7	50,5	35,3	23,7	17,6	11	6,4	4,5	3	2	1,4
	400	125,8	98,2	68,7	46,1	34,2	21,5	12,6	8,7	5,8	3,8	2,7
SP530	140	---	---	---	---	---	4,9	2,9	2	1,3	0,9	0,6
	250	---	---	---	---	---	19	11,1	7,7	5,1	3,4	2,4
	400	---	---	---	---	---	38,7	22,7	15,7	10,5	7	5
SP1000	140	---	---	---	---	---	---	6,6	4,6	3	2	1,4
	250	---	---	---	---	---	---	22,5	15,6	10,4	6,9	4,9
	400	---	---	---	---	---	---	44	30,6	20,5	13,6	9,6

Data given can be changed without notice.

Edition 01/2018

FLANGE DIMENSIONS ACC. PN-EN 1092-2

DN		15	20	25	32	40	50	65	80	100	125	150
PN16	D (mm)	95	105	115	140	150	165	185	200	220	250	285
	K (mm)	65	75	85	100	110	125	145	160	180	210	240
	nxd (mm)	4x14	4x14	4x14	4x19	4x19	4x19	4x19	8x19	8x19	8x19	8x23
PN25	D (mm)	95	105	115	140	150	165	185	200	235	270	300
	K (mm)	65	75	85	100	110	125	145	160	190	220	250
	nxd (mm)	4x14	4x14	4x14	4x19	4x19	4x19	8x19	8x19	8x23	8x28	8x28

Data given can be changed without notice.

Edition 01/2018

TYPE

Figure	Body material	Nominal diameter	Nominal pressure	Type
215	A Grey cast iron EN-GJL-250	15-150 mm	C 16 bar	stop valve 01SP
		15-150 mm	C 16 bar	control valve 71SP
215	C Nodular cast iron EN-GJS-400-18-LT	15-150 mm	C 16 bar	stop valve 01SP
		15-150 mm	C 16 bar	control valve 71SP
		15-150 mm	D 25 bar	stop valve 01SP
		15-150 mm	D 25 bar	control valve 71SP

ORDERING

Figure	Body material	Nominal diameter	Nominal pressure	Type
215	A Grey cast iron EN-GJL-250	15-150 mm	C 16 bar	stop valve 01SP

Order example acc. index

215 A 050 C 01SP

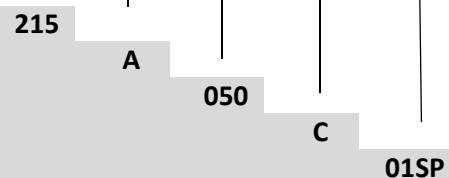
Stop valve with PNEUMATIC actuator

Grey cast iron EN-GJL-250

Nominal diameter (mm)

Nominal pressure PN 16

Stop valve



Data given can be changed without notice.

Edition 01/2018