



**GATE VALVE zFAG**



Body material	Nominal pressure	Nominal diameter	Max. temperature
G forged steel	U 250 bar	DN 50-100	450°C
Q alloy steel	U 250 bar	DN 50-100	580°C



correspond to the pressure equipment directive 2014/68/UE marking CE for DN≥32

**FEATURES**

- high tightness (leakproofness class - A acc. to EN - 12266 - 1
- compact settlement
- environment friendly
- tests acc. to EN - 12266 - 1

**APPLICATION\***

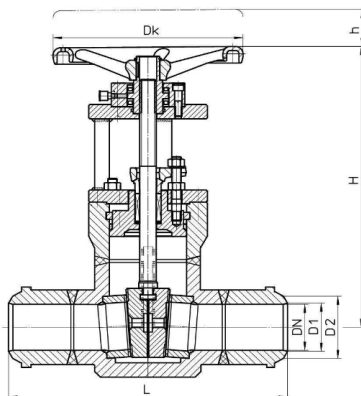
\* not all of the applications are suitable for all of the executions  
 On the website [www.zetkama.com.pl](http://www.zetkama.com.pl) is a Chemical Resistance List, which specifies the parameters of work for a given medium.

industries						
	INDUSTRY	SHIPBUILDING INDUSTRY	HEATING	REFRIGERATION AND AIR CONDITIONING	POWER ENGINEERING	
media						
	GLYCOL	INDUSTRIAL WATER	DIATHERMIC OIL	STEAM	COMPRESSED AIR	NEUTRAL FLUIDS

Data given can be changed without notice.

Edition 01/2021

MATERIALS, DIMENSIONS



	Body material	G	Q	Q
	Type	01	01	01
	PN	250		
1	Body	P245GH	13CrMo4-5	11CrMo9-10
2	Seat ring	X17CrNi16-2Ni 16-2	Stellite	Stellit
3	Bonnet	P265GH	13CrMo4-5	11CrMo9-10
4	Wedge	X30Cr13	Stellite	Stellit
5	Stem	X30Cr13	X39CrMo17-1	X39CrMo17-1
6	Gasket	graphite		
	Max. temperature	450°C	550°C	580°C

DN	50	65	80	100
D1(mm)	45	57,5	84	105
D2(mm)	60	77	108	135
L(mm)	350	425	470	550
Dk (mm)	320	320	320	400
H (mm)	420	490	490	450
h (mm)	60	80	90	110
Weight (kg)	80,0	87,0	120,0	165,0

Data given can be changed without notice.

Edition 01/2021

ZETKAMA Sp. z o.o.  
Ul. 3 Maja 12  
PL 57-410 Ścinawka Średnia

Tel. +48 74 8652 193  
Tel. +48 74 8652 111  
Fax +48 74 8652 199

E-mail [export@zetskama.com.pl](mailto:export@zetskama.com.pl)  
[www.zetskama.com](http://www.zetskama.com)

# FIG.118 (ex. ZKS 250)

## PRESSURE-TEMPERATURE RATINGS

	PN		100°C	300°C	400°C	450°C	500°C	510°C	520°C	530°C	550°C	580°C
P245GH	250	bar	250	250	216	132	-	-	-	-	-	-
13CrMo4-5			250	250	231	227	193	164	125	120	69	-
11CrMo9-10			250	250	250	250	250	234	190	188	138	62

Other type of valves on request.

## TYPE

Figure	Body material	Nominal diameter	Nominal pressure	Type
118	G forged steel P245GH	50-100 mm	U 250 bar	Steel wedge, steel ring 01
118	Q alloy steel 13CrMo4-5	50-100 mm	U 250 bar	Steel wedge- stellited , steel ring 01
118	Q alloy steel 11CrMo9-10	50-100 mm	U 250 bar	Steel wedge- stellited , steel ring 01

## ORDERING

Figure	Body material	Nominal diameter	Nominal pressure	Type
118	G forged steel P245GH	50-100 mm	U 250 bar	Steel wedge, steel ring 01

### Order example acc. index

118 G 050 U 01

118 G 050 U 01

Gate valve, ends welded, form straight  
Forged steel P245GH  
Nominal diameter (mm)  
Nominal pressure PN 250  
Steel wedge, steel ring

Data given can be changed without notice.

Edition 01/2021