

STOP VALVE class 800 zGLO



Body material	Nominal pressure	Nominal diameter	Max. temperature
G Forged steel	8 Class 800 136 bar	DN 15-50	425°C



according to Pressure Directive 2014/68/EU
CE marking for DN≥32

FEATURES

- high tightness (leakproofness class A according to EN - 12266 - 1)
- compact settlement
- environment friendly
- tests according to API 598
- length of installation according to MFG standard
- end for welding in according to ASME B16.11

APPLICATION*

* not all of the applications are suitable for all of the material workmanship

The website [atwww.zetkama.com.pl](http://www.zetkama.com.pl) contains a Chemical Resistance List, which specifies the operational characteristics for a certain medium.

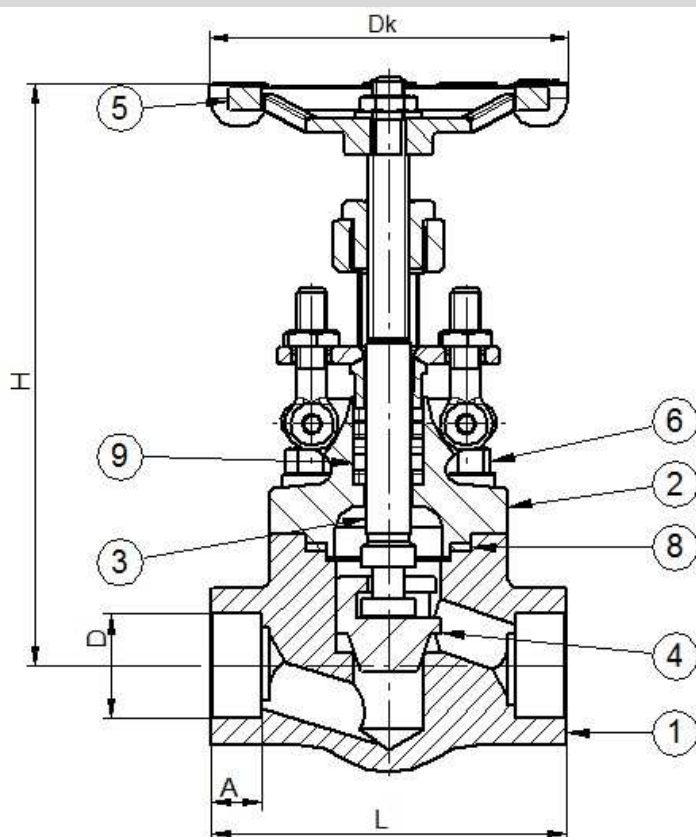
industries							
	INDUSTRY	SHIPBUILDING INDUSTRY	HEATING	PETROCHEMICAL INDUSTRY	POWER ENGINEERING	CHEMICAL INDUSTRY	
media							
	GLYCOL	INDUSTRIAL WATER	DIATHERMIC OIL	STEAM	COMPRESSED AIR	NEUTRAL MEDIA	NATURAL GAS

Subject to design changes.

Edition 01/2023

FIG. 213

MATERIALS, DIMENSIONS



	Body material	G
	Type	01
1	Body	A105N
2	Bonnet	A105N
3	Stem	A182 F6a
4	Disc	A182 F6a
5	Hand-wheel	A197
6	Screw	A193 B7
8	Cover gasket	spiral wound gasket (steel + graphite)
9	Gland packing	Graphite
Max. temperature		425°C

DN	15	20	25	32	40	50
L (mm)	79	92	111	120	152	172
Dk (mm)	96	96	115	145	145	165
H	170	172	207	228	245	265
E	21.8	27.2	339	42.7	488	61.2
A	10	13	13	13	13	16
Weight (kg)	2	2.2	3.8	5.4	7.2	11.1

Subject to design changes.

Edition 01/2023

ZETKAMA Sp. z o.o.
ul. 3 Maja 12
PL 57-410 Ścinawka Średnia

tel. +48 74 8652 187
tel. +48 74 8652 111
Fax +48 74 8652 199

E-mail spkraj@zetkama.com.pl
www.zetkama.pl

FIG. 213**PRESSURE-TEMPERATURE RATINGS**

Material	Class	Temperature [° C]						
		-29 < up to <38	93.5	150	204	315	371	425
A105N	800	136.2 bar	124.1 bar	120.7 bar	116.5 bar	100.7 bar	97.9 bar	75.8 bar

Options:

Various configurations are possible upon a customer's request.

TYPE

Figure	Body material	Nominal diameter	Nominal pressure	Type
213	G Forged steel A105N	15-50 mm	8 class 800	01 stem and poppet connection detachable; mandrel, poppet - stainless steel

ORDERING

Figure	Body material	Nominal diameter	Nominal pressure	Type
213	G Forged steel A105N	15-50 mm	8 class 800	01 stem and poppet connection detachable; stem, poppet - stainless steel

Order example acc. index

213 G 050 8 01

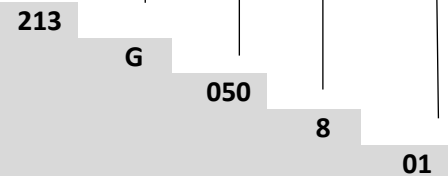
Stop valve, ends welded, form straight

Forged steel A105N

Nominal diameter (mm)

Nominal pressure Class 800

Stop valve; stem, poppet - stainless steel



Subject to design changes.

Edition 01/2023