

 **CHECK VALVE zFAG**



Body material	Nominal pressure	Nominal diameter	Max. temperature
G Forged steel	U 250 bar	DN 15-50	450°C
	W 320 bar		
	Y 500 bar		
Q Alloy steel	U 250 bar	DN 15-50	650°C
	W 320 bar		
	Y 500 bar		



correspond to the pressure equipment directive 2014/68/UE marking CE for DN≥32

FEATURES

- closing tightness class D acc. to EN -12266-1
- compact settlement
- environment-friendly
- tests acc. to EN - 12266 - 1

APPLICATION *

* not all of the applications are suitable for all of the executions

On the website www.zetkama.com.pl is a Chemical Resistance List, which specifies the parameters of work for a given medium

industries



INDUSTRY



SHIPBUILDING
INDUSTRY



HEATING



REFRIGERATION
AND AIR
CONDITIONING

media



GLYCOL



INDUSTRIAL
WATER



DIATHERMIC OIL



STEAM



COMPRESSED
AIR

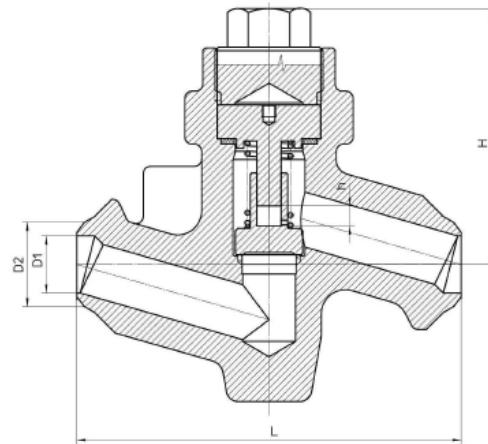


NEUTRAL
FLUIDS

Data given can be changed without notice.

Edition 01/2018

MATERIALS, DIMENSIONS



	Body material	G		Q		
	Type	31	31	31	31	31
1	Body	P245GH	16Mo3	13CrMo4-5	11CrMo9-10	X10CrMoVNb9-1
2	Seat ring	Stellite				
3	Cover	P245GH	13CrMo4-5	11CrMo9-10 DN 15-25 13CrMo4-5 DN 32-50	13CrMo4-5	X10CrMoVNb9-1
5	Seat disc	Stellite				
6	Gasket	Graphite				
Max. temperature		450°C	530°C	550°C	580°C	650°C

DN		15	20	25	32	40	50
D1 (mm)	PN 250	16,0	20,0	26,5	30,0	38,5	45,0
	PN 320	15,0	20,0	24,0	30,0	36,0	49,5
	PN 500	16,5	20,0	23,5	30,0	33,5	45,0
D2 (mm)	PN 250	22	27	35	40	49	61
	PN 320	22	28	35	40	49	77
	PN 500	32	38	47	58	66	86
L (mm)		160	160	160	250	250	250
H (mm)		106	106	106	150	150	150
h (mm)		10	10	10	20	20	20
Weight (kg)		4	4	4	13	13	13

Data given can be changed without notice.

Edition 01/2018

PRESSURE-TEMPERATURE RATINGS

	PN		100°C	300°C	400°C	450°C	500°C	510°C	530°C	550°C		
P245GH	320	bar	320	308	216	132	---	---	---	---		
	500		500	400	320	235	---	---	---	---		
13CrMo4-5	320		320	320	320	320	266	223	150	93		
	500		500	500	500	383	324	218	137			
16Mo3	320		320	320	298	288	179	136	86	---		
	500		500	500	453	437	290	231	146	---		
	PN		450°C	500°C	510°C	530°C	550°C	580°C	600°C	620°C	640°C	650°C
11CrMo9-10	320	bar	320	286	250	188	138	88	-----	-----	---	---
	500		500	421	368	281	212	137	-----	-----	---	---
X10CrMoVNb9-1	500		500	500	500	500	453	359	281	212	181	137

Other type of valves on request.

TYPE

Figure	Body material	Nominal diameter	Nominal pressure	Type
299	G Forged steel P245GH	15-50 mm	U 250 bar	31 loose disc with spring; stem, disc and seat ring - stainless steel
		15-50 mm	W 320 bar	31 loose disc with spring; stem, disc and seat ring - stainless steel
		15-50 mm	Y 500 bar	31 loose disc with spring; stem, disc and seat ring - stainless steel
299	Q Alloy steel X13CrMo4-5	15-50 mm	U 250 bar	31 loose disc with spring; stem, disc and seat ring - stainless steel
		15-50 mm	W 320 bar	31 loose disc with spring; stem, disc and seat ring - stainless steel
		15-50 mm	Y 500 bar	31 loose disc with spring; stem, disc and seat ring - stainless steel
299	Q Alloy steel 11CrMo9-10	15-50 mm	U 250 bar	31 loose disc with spring; stem, disc and seat ring - stainless steel
		15-50 mm	W 320 bar	31 loose disc with spring; stem, disc and seat ring - stainless steel
		15-50 mm	Y 500 bar	31 loose disc with spring; stem, disc and seat ring - stainless steel
299	Q Alloy steel 16Mo3	15-50 mm	U 250 bar	31 loose disc with spring; stem, disc and seat ring - stainless steel
		15-50 mm	W 320 bar	31 loose disc with spring; stem, disc and seat ring - stainless steel

Data given can be changed without notice.

Edition 01/2018

FIG.299 (ex. 482)



		15-50 mm	Y	500 bar	31 loose disc with spring; stem, disc and seat ring - stainless steel
299	Q Alloy steel X10CrMoVNb9-1	15-50 mm	U	250 bar	31 loose disc with spring; stem, disc and seat ring - stainless steel
		15-50 mm	W	320 bar	31 loose disc with spring; stem, disc and seat ring - stainless steel
		15-50 mm	Y	500 bar	31 loose disc with spring; stem, disc and seat ring - stainless steel

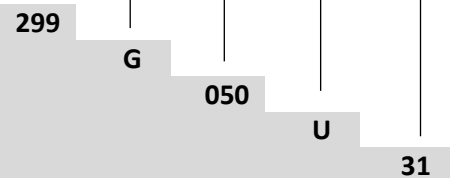
ORDERING

Figure	Body material	Nominal diameter	Nominal pressure	Type
299	G Forged steel P245GH	15-50 mm	U 250 bar	31 loose disc with spring; stem, disc and seat ring - stainless steel

Order example acc. index

299 G 050 U 31

Check valves, ends welded, form straight
 Forged steel P245GH
 Nominal diameter (mm)
 Nominal pressure PN 250
 Loose disc with spring; stem, disc and seat ring - stainless steel



Data given can be changed without notice.

Edition 01/2018

ZETKAMA Sp. z o.o.
 Ul. 3 Maja 12
 PL 57-410 Ścinawka Średnia

Tel. +48 74 8652 193
 Tel. +48 74 8652 111
 Fax +48 74 8652 199

E-mail export@zetskama.com.pl
www.zetskama.com