


AIR - RELEASE VALVE zAIR


Body material	Nominal pressure	Nominal diameter	Max. temperature
A Grey cast iron	C 16 bar	DN 25	100°C

FEATURES

- high tightness
- compact settlement
- environment-friendly
- no maintenance
- flanges drilled acc. to EN 1092-2

APPLICATION

media

INDUSTRIAL
WATER

Data given can be changed without notice.

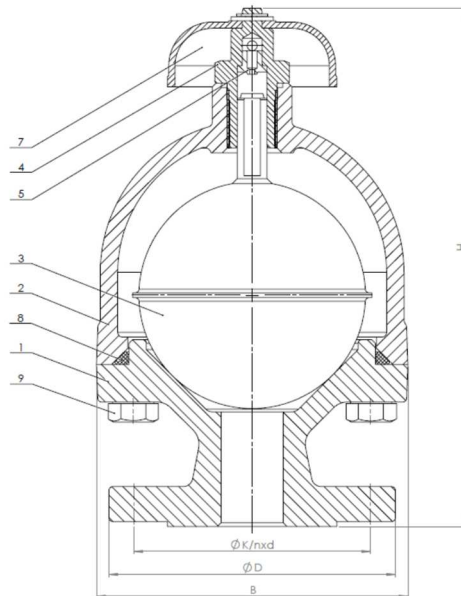
Edition 01/2018

ZETKAMA Sp. z o.o.
Ul. 3 Maja 12
PL 57-410 Ścinawka Średnia

Tel. +48 74 8652 193
Tel. +48 74 8652 111
Fax +48 74 8652 199

E-mail export@zetskama.com.pl
www.zetskama.com

MATERIALS, DIMENSIONS



	Body material	A
	Type	06
1	Body	EN – GJL-250 5.1301 (ex. JL 1040)
2	Bonnet	EN – GJL-250 5.1301 (ex. JL 1040)
3	Float	X5CrNi 18-10 1.4301
4	Screw plug	X20Cr13 1.4021
5	Nozzle	CuZn40Mn1.5
7	Cup	ABS
8	Float gasket	EPDM
9	Bolt	5.6 – A3A
Max. temperature		100°C

DN	25
B (mm)	125
D (mm)	115
K (mm)	85
nxd	4x14
H (mm)	210
Weight (kg)	5,0

Data given can be changed without notice.

Edition 01/2018

ZETKAMA Sp. z o.o.
Ul. 3 Maja 12
PL 57-410 Ścinawka Średnia

Tel. +48 74 8652 193
Tel. +48 74 8652 111
Fax +48 74 8652 199

E-mail export@zetkama.com.pl
www.zetkama.com

PRESSURE-TEMPERATURE RATINGS

	PN		-10°C÷100°C
EN-GJL-250	16	bar	16

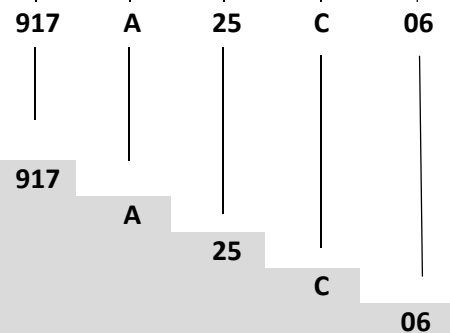
TYPE

Figure	Body material	Nominal diameter	Nominal pressure	Type
917	A Grey cast iron EN-GJL-250	25 mm	C 16 bar	06 float- stainless steel sealing EPDM nozzle - brass
				06-D float- stainless steel sealing EPDM nozzle - brass epoxy painted; for drinking water

ORDERING

Figure	Body material	Nominal diameter	Nominal pressure	Type
917	A Grey cast iron EN-GJL-250	25 mm	C 16 bar	06 float- stainless steel sealing EPDM nozzle - brass

Order example acc. index



Air-release valve, ends flanged
 Grey cast iron EN-GJL-250
 Nominal diameter (mm)
 Nominal pressure PN 16
 Float- stainless steel sealing EPDM nozzle - brass

Data given can be changed without notice.

Edition 01/2018