

 AIR - RELEASE VALVE zAIR



| Body material       | Nominal pressure | Nominal diameter | Max. temperature |
|---------------------|------------------|------------------|------------------|
| A<br>Grey cast iron | C<br>16 bar      | DN<br>25         | 100°C            |

### FEATURES

- high tightness
- compact settlement
- environment-friendly
- no maintenance

### APPLICATION

media



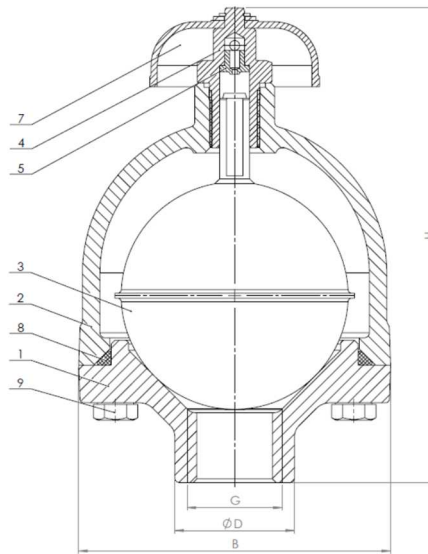
INDUSTRIAL  
WATER

Data given can be changed without notice.

Edition 01/2018

FIG.918

MATERIALS, DIMENSIONS



|                         | Body material | A                                    |
|-------------------------|---------------|--------------------------------------|
|                         | Type          | 06                                   |
| 1                       | Body          | EN – GJL-250<br>5.1301 (ex. JL 1040) |
| 2                       | Bonnet        | EN – GJL-250<br>5.1301 (ex. JL 1040) |
| 3                       | Float         | X5CrNi 18-10<br>1.4301               |
| 4                       | Screw plug    | X20Cr13<br>1.4021                    |
| 5                       | Nozzle        | CuZn40Mn1.5                          |
| 7                       | Cup           | ABS                                  |
| 8                       | Float gasket  | EPDM                                 |
| 9                       | Bolt          | 5.6 – A3A                            |
| <b>Max. temperature</b> |               | <b>100°C</b>                         |

|                    |           |
|--------------------|-----------|
| <b>DN</b>          | <b>25</b> |
| <b>B (mm)</b>      | 125       |
| <b>D (mm)</b>      | 48        |
| <b>G (mm)</b>      | 1"        |
| <b>H (mm)</b>      | 190       |
| <b>Weight (kg)</b> | 4,7       |

Data given can be changed without notice.

Edition 01/2018

ZETKAMA Sp. z o.o.  
Ul. 3 Maja 12  
PL 57-410 Ścinawka Średnia

Tel. +48 74 8652 193  
Tel. +48 74 8652 111  
Fax +48 74 8652 199

E-mail export@zetkama.com.pl  
www.zetkama.com

**PRESSURE-TEMPERATURE RATINGS**

|            | PN |     | -10°C÷100°C |
|------------|----|-----|-------------|
| EN-GJL-250 | 16 | bar | 16          |

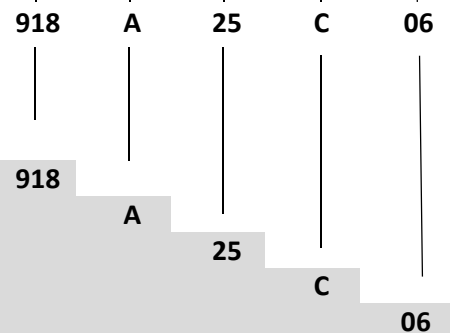
**TYPE**

| Figure | Body material                     | Nominal diameter | Nominal pressure | Type   |
|--------|-----------------------------------|------------------|------------------|--|
| 918    | A<br>Grey cast iron<br>EN-GJL-250 | 25<br>mm         | C<br>16 bar      | 06<br>float- stainless steel sealing EPDM nozzle - brass                                     |
|        |                                   |                  |                  | 06-D<br>float- stainless steel sealing EPDM nozzle - brass epoxy painted; for drinking water |

**ORDERING**

| Figure | Body material                     | Nominal diameter | Nominal pressure | Type   |
|--------|-----------------------------------|------------------|------------------|--|
| 918    | A<br>Grey cast iron<br>EN-GJL-250 | 25<br>mm         | C<br>16 bar      | 06<br>float- stainless steel sealing EPDM nozzle - brass |

**Order example acc. index**



Air-release valve, ends threaded  
 Grey cast iron EN-GJL-250  
 Nominal diameter (mm)  
 Nominal pressure PN 16  
 Float- stainless steel, sealing EPDM, nozzle - brass

Data given can be changed without notice.

Edition 01/2018