

STOP VALVE zGLO



Body material	Nominal pressure	Nominal diameter	Max. temperature
A Grey cast iron	A 6 bar C 16 bar	DN 15-300	300°C
C Nodular cast iron	C 16 bar D 25 bar	DN 15-200	350°C
F Caststeel	E 40 bar	DN 15-200	450°C
I Cast Stainless steel	E 40 bar	DN 15-200	400°C



correspond to the pressure equipment directive 2014/68/UE marking CE for DN≥32

FEATURES

- high tightness (leak proofness class - A acc. to EN - 12266 - 1
- compact settlement
- environment friendly
- tests acc. to EN - 12266 - 1
- face-to-face dimension according to EN 558 series 1
- flanges drilled according to EN 1092-2 for body material A, C
- flanges drilled according to EN 1092-1 for body material F, I,

APPLICATION *

*not all of the applications are suitable for all of the executions
 On the website www.zetkama.com.pl is a Chemical Resistance List, which specifies the parameters of work for a given medium

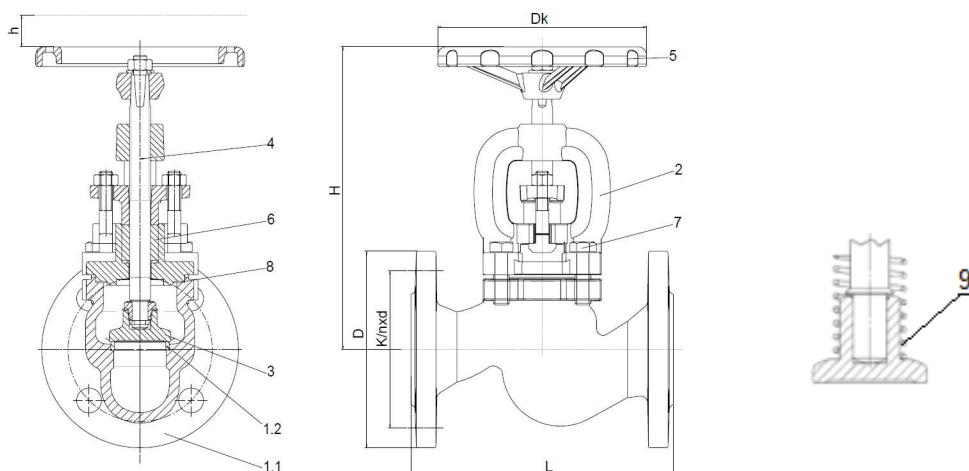
industries							
	INDUSTRY	SHIPBUILDING INDUSTRY	HEATING	REFRIGERATION AND AIR CONDITIONING	CHEMICAL INDUSTRY		
media							
	GLYCOL	INDUSTRIAL WATER	DIATHERMIC OIL	STEAM	COMPRESSED AIR	NEUTRAL FLUIDS	HYDROGEN

Data given can be changed without notice.

Edition 09/2023

FIG.215

MATERIALS, DIMENSIONS



		Body material	A		C	
Spare parts	Type	00 01 04 71	31		01 04 71	31
1.1	Body	EN – GJL-250 5.1301 (ex. JI1040)		EN – GJS-400 – 18-LT 5.3103 (ex.JS1025)		
1.2	Seat ring	X12Cr13 1.4021				
2	Bonnet	EN-GJL-250 5.1301 (ex. JI1040)		EN – GJS-400 – 18-LT 5.3103 (ex.JS1025)		
3	Disc	X20Cr13+QT 1.4021				
4	Stem	X20Cr13 1.4021				
5	Hand-wheel	EN-GJS500-7 5.3200 (ex.JS1050)				
6	Gland packing	Graphite				
7	Hexagon bolt	5.6		A2-70		
X	8	Gasket Graphite+ NiCr				
	9*	X17CrNi16-2		X17CrNi16-2		
Max. temperature		300°C			350°C	

*- for version 31, 32, 33

Data given can be changed without notice.

Edition 09/2023

ZETKAMA Sp. z o.o.
Ul. 3 Maja 12
PL 57-410 Ścinawka Średnia

Tel. +48 74 8652 193
Tel. +48 74 8652 111
Fax +48 74 8652 199

E-mail export@zetskama.com.pl
www.zetskama.com

FIG.215



DN		15	20	25	32	40	50	65	80	100	125	150	200	250	300	
L (mm)		130	150	160	180	200	230	290	310	350	400	480	600	730	850	
Dk (mm)	A, C	100			120			160		180	250		320	360		500
H	01, 04, 31	167		175	186	235	248	260	291	338	373	429	529	638	710	
h (mm)	01, 04	5	5,5	7	14	20	25	35	41	31	48	54	77	120	120	
	71	14	14	25	30	24	32	42	48	50	50	60	80	100	100	
K _{vs} (m ³ /h)	01, 04	5,9	7,4	13	18	30	41	79	115	181	225	364	690	1010	1460	
Weight (kg)																
215	01, 04	3,3	3,9	5	6,6	9,4	12	17,3	22,7	35,8	52,8	74,2	126	200	315	
	31	3,3	3,9	5	6,6	9,4	12	17,3	22,7	35,8	52,8	74,2	126	200	315	
	71	3,3	3,9	5	6,6	9,4	12,5	17,6	24	36,8	52,6	76,5	126	200	315	

KV [m³/h] FIG. 215-71, 91

Turn	DN 15	DN 20	DN 25	DN 32	DN 40	DN 50	DN 65	DN 80	DN 100	DN 125	DN 150	DN 200	DN 250	DN 300
0,5	1,49	1,56	1,08	2,14			7,7		9,5	17	29			
1	1,78	1,94	1,96	3,05	6,9	9,6	9,8	11,5	18	31	49	70	95	160
1,5	2,14	2,35												
2	2,45	2,78	3,57	5,09	12,1	16,4	18,2	21,5	37,5	58	88	130	175	280
2,5	2,78	3,18												
3	3,03	3,58	5,17	7,06	16,3	22,4	26,5	32	56	84	127	190	272	386
3,5	3,30	3,99												
4	3,64	4,54	6,44	8,89	20,2	27,6	34,1	41,5	71	108	165	250	355	489
4,5	4,15	5,35												
4,7	4,50	5,67												
5			7,4	10,4	25,0	33	41,3	50	85	132	199	303	421	585
6			8,3	11,8	28,3	39	47,9	59	103	160	232	350	487	675
7			9,2	13,1		43,5	54,8	69	121	191	263	407	551	767
8			10,6	14,1		45,1	61,6	79	139	220	294	436	611	862
8,33			10,9											
9				15,4			67,2	88	149	236	314	460	670	958
10				17,3			71	96	157	248	325	483	727	1050
10,5							75,5							
11								100			335	499	783	1140
12								104			342	514	841	1229
13												524	882	1294
13,33												528		
14													921	1354
15													955	1398
16													982	1434
16,66													1001	1453

Data given can be changed without notice.

Edition 09/2023

ZETKAMA Sp. z o.o.
Ul. 3 Maja 12
PL 57-410 Ścinawka Średnia

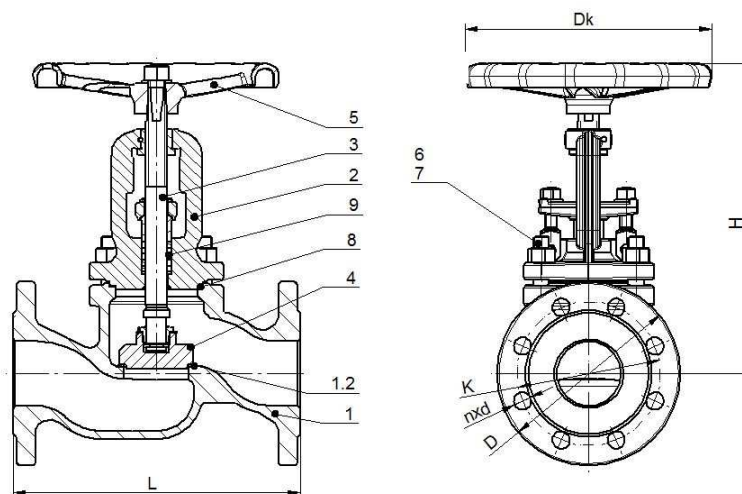
Tel. +48 74 8652 193
Tel. +48 74 8652 111
Fax +48 74 8652 199

E-mail export@zetskama.com.pl
www.zetskama.com

FIG.215

MATERIALS, DIMENSIONS

DN 15-200 type 00, 01, 04, 71



		Body material	F	F
Spare parts	Type		00 01 04 71	31
	1.1	Body	GP240GH 1.0619	
	1.2	Seat ring	G18 8Mn 1.4370	
	2	Bonnet	GP240GH 1.0619	
	3	Disc	X20Cr13 1.4021	
	4	Stem	X20Cr13 1.4021	
	5	Hand-wheel	EN-GJS-400-18-LT JS1025	
	6	Studbolt	42CrMo5 1.7233	
	7	Nut	C35E 1.1181	
X	8	Gasket	Graphite	
	9	Gland packing	Graphite	
		Spring		X17CrNi16-2
		Max. temperature	450°C	

F 00 01 04 31 71												
DN	15	20	25	32	40	50	65	80	100	125	150	200
L (mm)	130	150	160	180	200	230	290	310	350	400	480	600
Dk (mm)	120	120	120	120	180	180	250	250	320	320	360	500
H (mm)	235	235	235	236	275	275	312	350	435	471	510	624
h (mm)	17	17	14,5	16,5	21	22,5	23	28,5	35,5	44,5	54	60
Kvs (m³/h)	4,3	7,0	11,0	17,5	27,0	47,0	68,0	116,0	162,0	250,0	364,0	550,0
Weight (kg)	4,3	5,1	5,8	9,5	9,8	17,5	20,5	34	44	77	113	180

Data given can be changed without notice.

Edition 09/2023

ZETKAMA Sp. z o.o.
Ul. 3 Maja 12
PL 57-410 Ścinawka Średnia

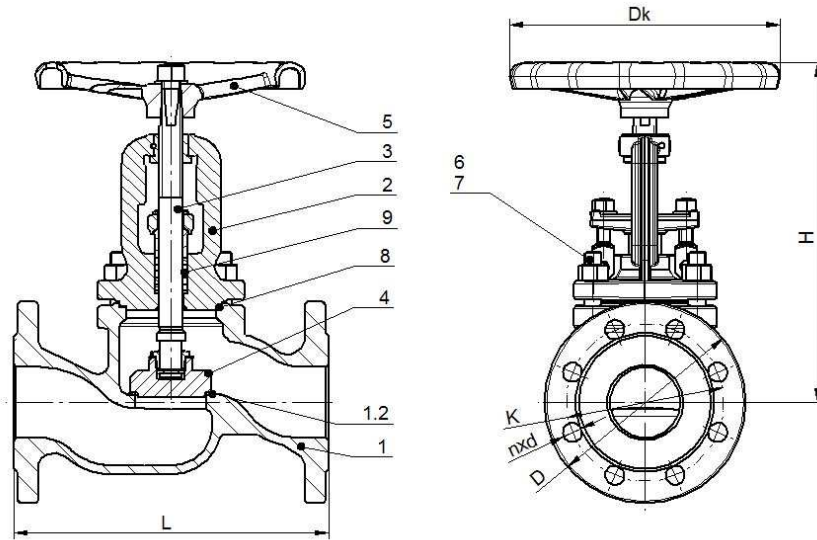
Tel. +48 74 8652 193
Tel. +48 74 8652 111
Fax +48 74 8652 199

E-mail export@zetkama.com.pl
www.zetkama.com

FIG.215

MATERIALS, DIMENSIONS

DN 15-200



Spare parts		Body material	I	
			01 04 71	31
	1	Body	GX5CrNiMO19-11-2 1.4408	
	1.2	Paddingweld	G 19 9 LSi	
	2	Bonnet	GX5CrNiMO19-11-2 1.4408	
	3	Stem	X6CrNiMoTi17-12-2 1.4571	
	4	Disc	X6CrNiMoTi17-12-2 1.4571	
	5	Hand-wheel	KOZ-120 PN-M-74203	
	6	Stud bolt	A4-70	
	7	Nut	A4	
X	8	Gasket	Graphite	
	9	Gland packing	Graphite	
		Spring	----	X17CrNi16-2
Max. temperature			400°C	

DN	15	20	25	32	40	50	65	80	100	125	150	200
L (mm)	130	150	160	180	200	230	290	310	350	400	480	600
Dk (mm)	120	120	120	120	180	180	250	250	320	320	360	500
H	235	235	235	236	275	275	312	350	435	471	510	624
Kvs (m³/h)	5,3	8,4	12,3	22	29	44	74,8	111,5	182	232,5	337,5	553
Weight (kg)	4,3	5,0	5,8	7,5	11,7	14,2	20,4	26,9	44,5	65,2	93	157

Data given can be changed without notice.

Edition 09/2023

ZETKAMA Sp. z o.o.
Ul. 3 Maja 12
PL 57-410 Ścinawka Średnia

Tel. +48 74 8652 193
Tel. +48 74 8652 111
Fax +48 74 8652 199

E-mail export@zetkama.com.pl
www.zetkama.com

KV [m³/h] FIG. 215-71 (F,I)

Turn	DN 15	DN 20	DN 25	DN 32	DN 40	DN 50	DN 65	DN 80	DN 100	DN 125	DN 150	DN 200
0,5	0,22	0,42	0,60	0,77	1,0	2,1	2,3	3,6	5	10		
1	0,30	0,52	0,85	1,14	1,5	2,5	3,3	5,7	7	14	38,7	61,3
2	0,68	1,05	1,65	2,2	3,5	4,4	8,1	13,6	13,5	22	60,5	90
3	1,3	1,9	3,0	3,8	6,3	8,1	17	21,4	22	32	81,4	112
4	2,3	3,4	7,6	7,6	14	15,7	44,3	41,5	33,5	47	117,7	131,4
5	4,8	6,9	13,6	15,1	28	33,1	74,7	81,4	75,5	96	182,5	168,5
5,5	6,1	8,6		19		45,1						
6								112	116	151	252	241,3
7									148	198	290,7	335,9
8										228		422,5
8,5												458,6
9										246		

PRESSURE-TEMPERATURE RATINGS

		Temperatura										
Acc. EN 1092-2	PN	-60°C ÷ -10°C	-10°C ÷ 120°C	150°C	200°C	250°C	300°C	350°C	400°C	450°C		
EN-GJL250	6	bar	----	6	5,4	4,8	4,2	3,6	---	---	---	
	16		-----	16	14,4	12,8	11,2	9,6	---	---	---	
EN-GJS400-18 LT	16	bar	-----	16	15,5	14,7	13,9	12,8	11,2	---	---	
	25		-----	25	24,3	23	21,8	20	17,5	---	---	
Acc. EN 1092-1		-40°C ÷ -10°C	-10°C ÷ 50°C	50°C ÷ 100°C	150°C	200°C	250°C	300°C	350°C	400°C	450°C	
GP240GH	40	bar	30	40	37,1	35,2	33,3	30,4	27,6	25,7	23,8	13,1
Acc. EN 1092-1		-60°C ÷ -10°C	-10°C ÷ 100°C	150°C	200°C	250°C	300°C	350°C	400°C	450°C		
G-X5CrNiMo19-11-2	40	bar	40	40	36,3	33,7	31,8	29,7	28,5	27,4	---	

Data given can be changed without notice.

Edition 09/2023

ZETKAMA Sp. z o.o.
 Ul. 3 Maja 12
 PL 57-410 Ścinawka Średnia

Tel. +48 74 8652 193
 Tel. +48 74 8652 111
 Fax +48 74 8652 199

E-mail export@zetkama.com.pl
 www.zetkama.com

FIG.215

FLANGE DIMENSIONS ACC. PN-EN 1092-1 (F, I, G)

DN		15	20	25	32	40	50	65	80	100	125	150	200	250	300
PN40	D (mm)	95	105	115	140	150	165	185	200	235	270	300	375	-----	-----
	K (mm)	65	75	85	100	110	125	145	160	190	220	250	320	-----	-----
	nxd (mm)	4x14	4x14	4x14	4x18	4x18	4x18	8x18	8x18	8x22	8x26	8x26	12x30	-----	-----

FLANGE DIMENSIONS ACC. PN-EN 1092-2 (A, C)

DN		15	20	25	32	40	50	65	80	100	125	150	200	250	300
PN6	D (mm)	80	90	100	120	130	140	160	190	210	240	265	320	375	440
	K (mm)	55	65	75	90	100	110	130	150	170	200	225	280	335	395
	nxd (mm)	4x11	4x11	4x11	4x14	4x14	4x14	4x14	4x19	4x19	8x19	8x19	8x19	12x19	12x23
PN16	D (mm)	95	105	115	140	150	165	185	200	220	250	285	340	405	460
	K (mm)	65	75	85	100	110	125	145	160	180	210	240	295	355	410
	nxd (mm)	4x14	4x14	4x14	4x19	4x19	4x19	4x19	8x19	8x19	8x19	8x23	12x23	12x28	12x28
PN25	D (mm)	95	105	115	140	150	165	185	200	235	270	300	360	-----	-----
	K (mm)	65	75	85	100	110	125	145	160	190	220	250	310	-----	-----
	nxd (mm)	4x14	4x14	4x14	4x19	4x19	4x19	8x19	8x19	8x23	8x28	8x28	12x28	-----	-----

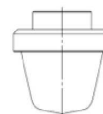
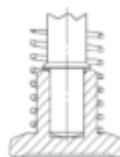
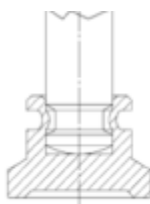
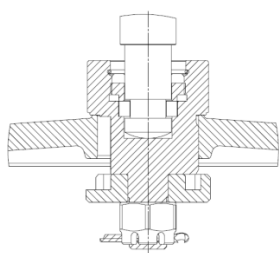
DISC

Type 04

Type 00

Type 31

Type 71



Other type of valves on request:

- stellite seat
- hardened disc

Data given can be changed without notice.

Edition 09/2023

OPTIONAL TYPES

Type	Description
02	stem and disc connection nut; stem - brass, disc and seat ring - bronze
03	stem and disc connection nut; stem, disc and seat ring - bronze
05	stem and disc connection– nut; stem- brass, disc and seat ring –bronze; balancing disc
08	stem and disc connection– nut; disc sealling PTFE
13	stem and disc connection– nut; stem, disc and seat ring –bronze; balancing disc
32	loose disc with spring; stem - brass, disc and seat ring - bronze
33	loose disc with spring;stem, disc and seat ring - bronze
41	loose disc without spring; stem, disc and seat ring – stainless steel
42	loose disc without spring; stem - brass, disc and seat ring - bronze
43	loose disc without spring; stem, disc and seat ring - bronze
72	stem and disc connection– nut; stem- brass, throttling disc and seat ring –bronze; throttling disc; without position indicator
91	stem and disc connection– nut; stem, throttling disc and seat ring – stainless steel; throttling disc; with position indicator
92	stem and disc connection– nut; stem - brass, throttling disc and seat ring –bronze; throttling disc; with position indicator

Data given can be changed without notice.

Edition 09/2023

FIG.215



TYPE

Figure	Body material	Nominal diameter	Nominal pressure	Type
215	A Grey cast iron EN-GJL-250	15-50 mm	A 6 bar	00 stem and disc connection - fixed-rolled; stem, disc and seat ring – stainless steel
		15-150 mm	A 6 bar	01 stem and disc connection– nut; stem, disc and seat ring – stainless steel
		200-300 mm	A 6 bar	04 stem and disc connection– nut; stem, disc and seat ring – stainless steel; balancing disc
		15-300 mm	A 6 bar	31 loose disc with spring; stem, disc and seat ring – stainless steel
		15-300 mm	A 6 bar	71 stem and disc connection– nut; stem, throttling disc and seat ring – stainless steel; throttling disc; without position indicator
		15-50 mm	C 16 bar	00 stem and disc connection - fixed-rolled; stem, disc and seat ring – stainless steel
		15-150 mm	C 16 bar	01 stem and disc connection– nut; stem, disc and seat ring – stainless steel
		200-300 mm	C 16 bar	04 stem and disc connection– nut; stem, disc and seat ring – stainless steel; balancing disc
		15-300 mm	C 16 bar	31 loose disc with spring; stem, disc and seat ring – stainless steel
		15-300 mm	C 16 bar	71 stem and disc connection– nut; stem, throttling disc and seat ring – stainless steel; throttling disc; without position indicator
215	C Nodular cast iron EN-GJS-400-18-LT	15-150 mm	C 16 bar	01 stem and disc connection– nut; stem, disc and seat ring – stainless steel
		200 mm	C 16 bar	04 stem and disc connection– nut; stem, disc and seat ring – stainless steel; balancing disc
		15-200 mm	C 16 bar	31 loose disc with spring; stem, disc and seat ring – stainless steel
		15-200 mm	C 16 bar	71 stem and disc connection– nut; stem, throttling disc and seat ring – stainless steel; throttling disc; without position indicator
		15-150 mm	D 25 bar	01 stem and disc connection– nut; stem, disc and seat ring – stainless steel
		200 mm	D 25 bar	04 stem and disc connection– nut; stem, disc and seat ring – stainless steel; balancing disc
		15-200 mm	D 25 bar	31 loose disc with spring; stem, disc and seat ring – stainless steel
		15-200 mm	D 25 bar	71 stem and disc connection– nut; stem, throttling disc and seat ring – stainless steel; throttling disc; without position indicator
215	F Cast steel GP240GH 1.0619	15-32 mm	E 40 bar	00 stem and disc connection - fixed; stem, disc and seat ring – stainless steel
		15-100 mm	E 40 bar	01 stem and disc connection separable; stem, disc and seat ring – stainless steel
		125-200 mm	E 40 bar	04 stem and disc connection separable; stem, disc and seat ring – stainless steel; balancing disc
		15-200 mm	E 40 bar	31 loose disc with spring; stem, disc and seat ring – stainless steel

Data given can be changed without notice.

Edition 09/2023

FIG.215



215	I Caststainlesssteel G-X5CrNiMo19-11-2	15-200 mm	E 40 bar	71 stem and disc connection separable; stem, disc and seat ring – stainless steel; throttling disc
		15-100 mm	E 40 bar	01 stem and disc connection separable; stem, disc and seat ring – stainless steel
		125-200 mm	E 40 bar	04 stem and disc connection separable; stem, disc and seat ring – stainless steel; balancing disc
		15-200 mm	E 40 bar	31 loose disc with spring, stem, disc and seat ring - stainlesssteel
		15-200 mm	E 40 bar	71 stem and disc connection separable; stem, disc and seat ring – stainless steel; throttling disc
		15-100 mm	E 40 bar	01-H stem and disc connection separable; stem, disc and seat ring – stainless steel, type for hydrogen
		125-200 mm	E 40 bar	04-H stem and disc connection separable; stem, disc and seat ring – stainless steel; balancing disc, type for hydrogen
		15-200 mm	E 40 bar	31-H loose disc with spring, stem, disc and seat ring - stainlesssteel, type for hydrogen
		15-200 mm	E 40 bar	71-H stem and disc connection separable; stem, disc and seat ring – stainless steel; throttling disc, type for hydrogen

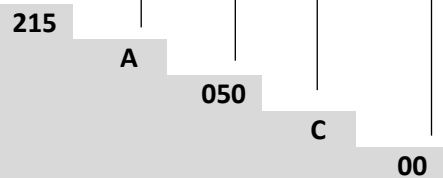
ORDERING

Figure	Body material	Nominal diameter	Nominal pressure	Type
215	A Grey cast iron EN-GJL-250	15-50 mm	C 16 bar	00 stem and disc connection - fixed – rolled; stem, disc and seat ring – stainless steel

Order examplecc. index

215 A 050 C 00

Bellow sealed stop valves, ends flanged, form straight
 Grey cast iron EN-GJL-250
 Nominal diameter (mm)
 Nominal pressurePN 16
 Stem and disc connection - fixed – rolled; stem, disc and seat ring – stainless steel



Data given can be changed without notice.

Edition 09/2023

ZETKAMA Sp. z o.o.
 Ul. 3 Maja 12
 PL 57-410 Ścinawka Średnia

Tel. +48 74 8652 193
 Tel. +48 74 8652 111
 Fax +48 74 8652 199

E-mail export@zetkama.com.pl
 www.zetkama.com