

 CHECK VALVE zCHE



Body material	Nominal pressure	Nominal diameter	Max. temperature
D Nodular cast iron	C 16 bar	DN 25-80	70°C

FEATURES

- very slight pressure drop
- fill bore
- self cleaning
- silent
- horizontal and vertical installation

APPLICATION

industries



INDUSTRY

media



SEWAGE



INDUSTRIAL
WATER

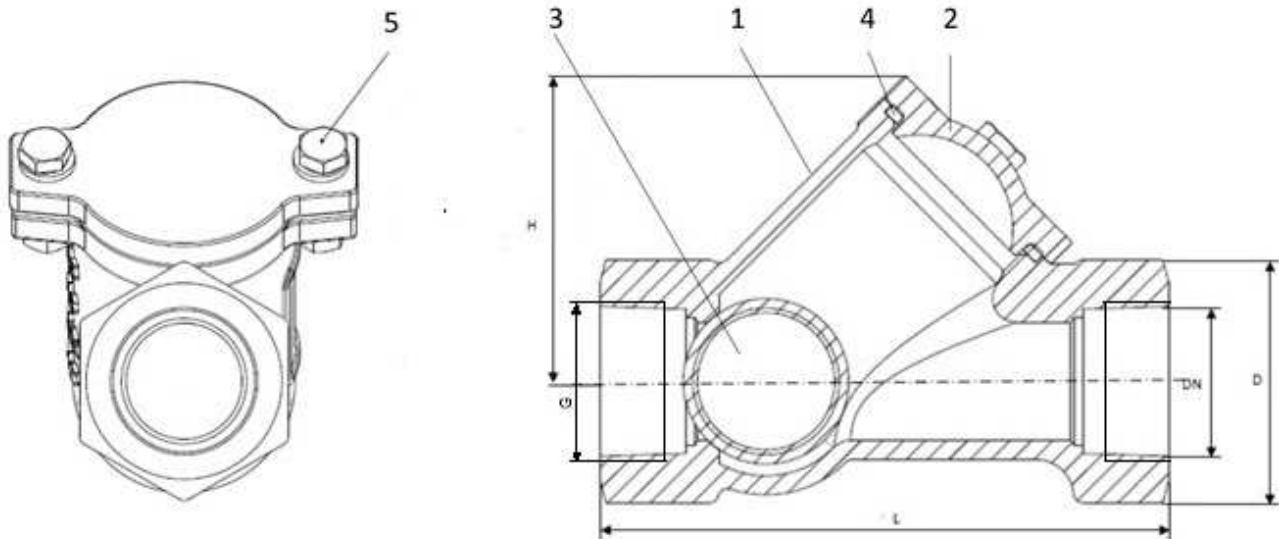


NEUTRAL
FLUIDS

Data given can be changed without notice.

Edition 01/2018

MATERIALS, DIMENSIONS



	Body material	D
	Type	55
1	Body	EN- GJS- 500-7 5.3200 (ex.JS 1050)
2	Cover	EN- GJS- 500-7 5.3200 (ex.JS 1050)
3	Ball	Steel /NBR
4	O - ring	NBR
5	Bolt	AISI 304
Max. temperature		70°C

DN	25	32	40	50	65	80
L (mm)	120	135	145	175	200	248
H (mm)	64	72	85	100	125	160
D (mm)	45	50	60	70	90	108
G	G1	G1 ¹ / ₄	G1 ¹ / ₂	G2	G2 ¹ / ₂	G3
K _{vs} (m ³ /h)	-	24	54	70	115	185
Weight (kg)	0,91	1,20	1,91	2,93	4,81	7,67

Data given can be changed without notice.

Edition 01/2018

ZETKAMA Sp. z o.o.
Ul. 3 Maja 12
PL 57-410 Ścinawka Średnia

Tel. +48 74 8652 193
Tel. +48 74 8652 111
Fax +48 74 8652 199

E-mail export@zetskama.com.pl
www.zetskama.com

PRESSURE-TEMPERATURE RATINGS

Acc. EN 1092-2	PN		-10°C ÷ 70°C
EN-GJS-500-7	16	bar	16

TYPE

Figure	Body material	Nominal diameter	Nominal pressure	Type
401	D Nodular cast iron EN-GJS-500-7	25-80 mm	C 16 bar	55 steel NBR coated ball; steel/NBR seat; epoxy paint

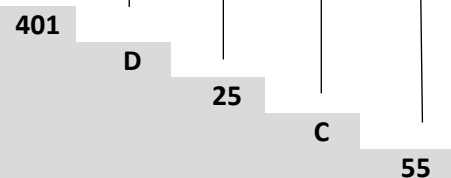
ORDERING

Figure	Body material	Nominal diameter	Nominal pressure	Type
401	D Nodular cast iron EN-GJS-500-7	25-80 mm	C 16 bar	55 steel NBR coated ball; steel/NBR seat; epoxy paint

Order example acc. index

401 D 25 C 55

Check valves, ends threaded, form Y-type
 Nodular cast iron EN-GJS-500-7
 Nominal diameter (mm)
 Nominal pressure PN 16
 Steel NBR coated ball; steel/NBR seat; epoxy paint



Data given can be changed without notice.

Edition 01/2018