

BUTTERFLY VALVE zBUT



Body material	Nominal pressure	Nominal diameter	Max. temperature
B Nodular cast iron	C 16 bar	32-300	110°C*
	B 10 bar	350-600	

* max allowable temporary temperature 120°C



correspond to the pressure equipment directive 2014/68/UE

FEATURES

- high tightness class - A acc. to EN - 12266 – 1
- compact settlement
- environment-friendly
- tests acc. to EN - 12266 - 1
- face-to-face dimension according to EN 558 series 20
- EPOXY RAL 5002 150 µm

APPLICATION *

* not all of the applications are suitable for all of the executions

industries				
	INDUSTRY	SHIPBUILDING INDUSTRY	HEATING	REFRIGERATION AND AIR CONDITIONING
media				
	GLYCOL	INDUSTRIAL WATER	COMPRESSED AIR	NEUTRAL FLUIDS

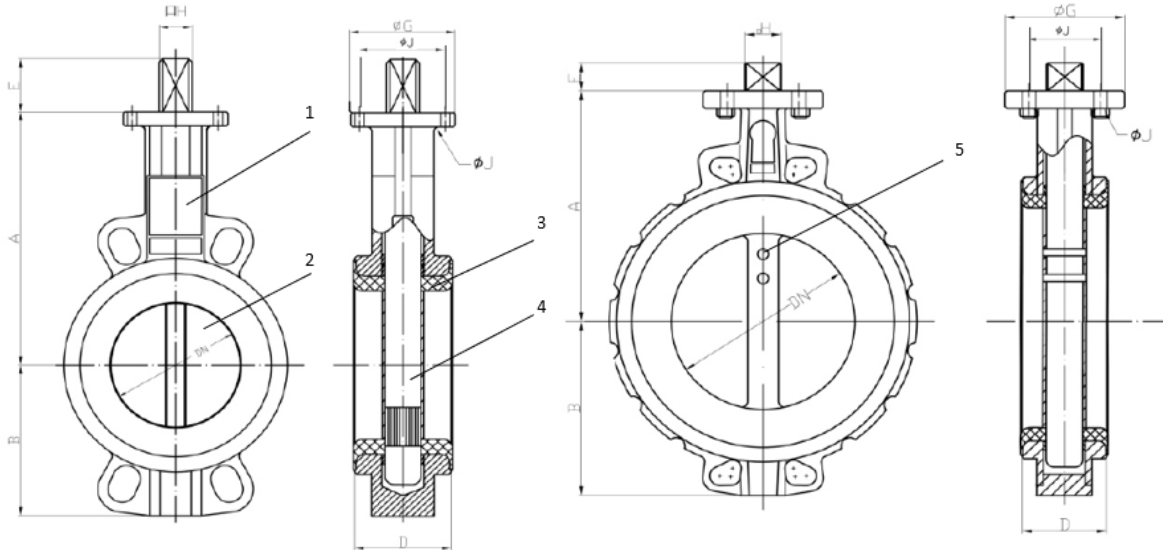
Data given can be changed without notice.

Edition 01/2018

MATERIALS, DIMENSIONS

DN 32-300

DN 350- 600



Body material		B			
Type		67	D6	68	A6
1	Body	EN-GJS-400-15 5.3106 (ex.JS1030 + Epoxy)			
2	Disc	EN-GJS-400-15 5.3106 (ex.JS1030) nickel plated		1.4408	
3	Seat	EPDM			
4	Stem	1.4057			
5	Pin	1.4057		1.4057	
Operation		Catch lever	Gearbox	Catch lever	Gearbox
Max. temperature		110°C			

DN	32	40	50	65	80	100	125	150	200	250	300	350	400	450	500	600
A (mm)	116	125	132	137	153	175	187	210	237	275	305	334	361	401	480	565
B (mm)	55	59	78	90	99	111	126	142	169	203	233	260	307	339	368	459
D (mm)	33	33	43	46	46	52	56	56	60	68	78	78	102	114	127	154
ØG(mm)	65	65	65	65	65	65	90	90	125	150	150	150	150	210	210	300
E (mm)	32	32	32	32	32	32	42	42	36	38	38	45	50	50	65	70
H (mm)	7x7	9x9	9x9	9x9	9x9	11x11	14x14	14x14	17x17	22x22	27x27	27x27	27x27	30x30	36x36	46x46
ØJ (mm)	50	50	50	50	50	50	70	70	102	125	125	125	125	165	165	165
n x ØM	4x7	4x7	4x7	4x7	4x7	4x7	4x9	4x9	4x11	4x13	4x13	4x14	4x14	4x22	4x22	4x22
ISO	F-05	F-05	F-05	F-05	F-05	F-05	F-07	F-07	F-10	F-12	F-12	F-12	F-12	F-16	F-16	F-16
Operating torque (Nm)	11	11	16	26	33	53	81	119	194	308	595	969	1307	1787	2288	3711
Weight (kg)	1,75	2,00	2,50	3,00	3,52	4,50	7,00	8,25	14,00	25,75	33,65	64,50	89,85	107,40	155,75	231,1

Data given can be changed without notice.

Edition 01/2018

ZETKAMA Sp. z o.o.
Ul. 3 Maja 12
PL 57-410 Ścinawka Średnia

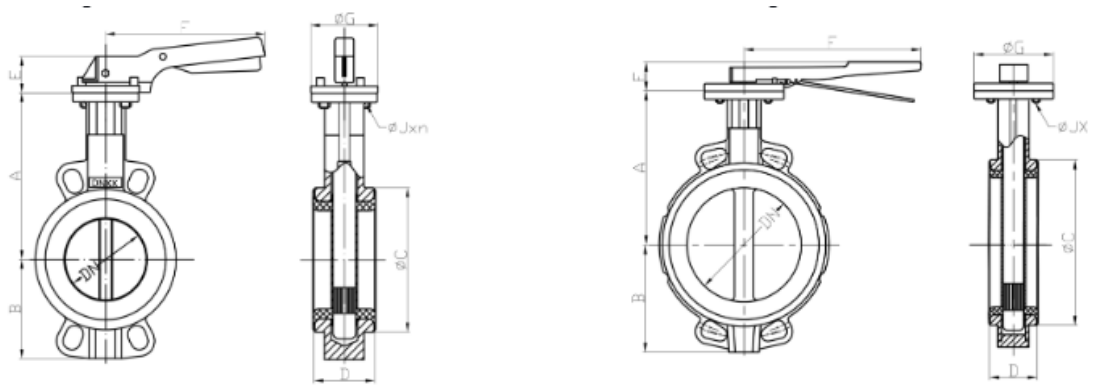
Tel. +48 74 8652 193
Tel. +48 74 8652 111
Fax +48 74 8652 199

E-mail export@zetskama.com.pl
www.zetskama.com

FIG.497

DN 32-150

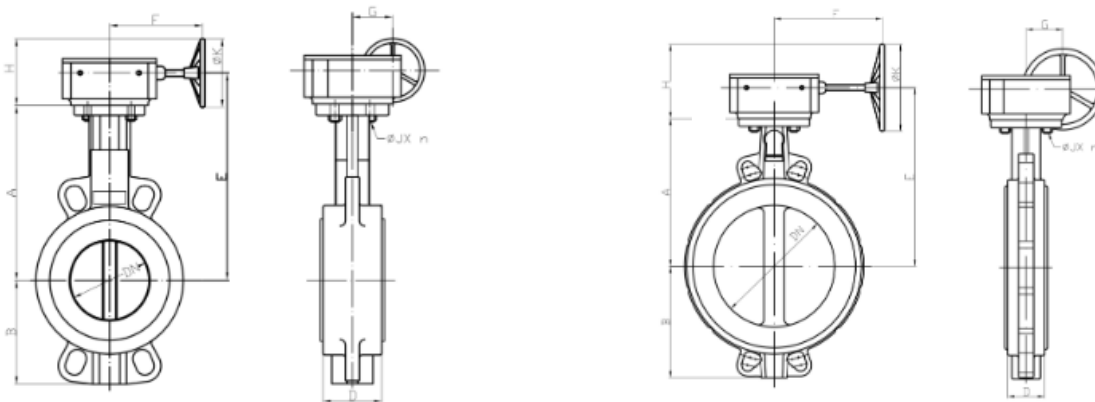
DN 200- 300



DN	32	40	50	65	80	100	125	150	200	250	300
A (mm)	116	125	132	137	153	175	187	210	237	275	305
B (mm)	55	59	78	90	99	111	126	142	169	203	233
D (mm)	33	33	43	46	46	52	56	56	60	68	78
E (mm)	70	70	70	70	70	70	71	71	40	44	44
F (mm)	195	195	195	195	195	195	278	278	355	507	507
$\varnothing C$ (mm)	73	82	90	103	120	152	180	207	260	315	370
$\varnothing G$ (mm)	65	65	65	65	65	65	90	90	125	150	150
$\varnothing J$ (mm)	50	50	50	50	50	50	70	70	102	125	125

DN 100-300

DN 350- 600



DN	100	125	150	200	250	300	350	400	450	500	600
A (mm)	175	187	210	237	275	305	334	361	401	480	565
B (mm)	111	126	142	169	203	233	260	307	339	368	459
D (mm)	52	56	56	60	68	78	78	102	114	127	154
E (mm)	221	233	256	284	320	350	379	423	463	545	630
F (mm)	156	156	156	241	223	223	223	270	270	339	339
G (mm)	45	45	45	63	78	78	78	120	120	120	120
H (mm)	116	168	168	193	190	190	190	208	258	222	222
$\varnothing K$ (mm)	150	250	250	300	300	300	300	400	400	300	300
$\varnothing J$ (mm)	50	70	70	102	125	125	125	125	165	165	165

Data given can be changed without notice.

Edition 01/2018

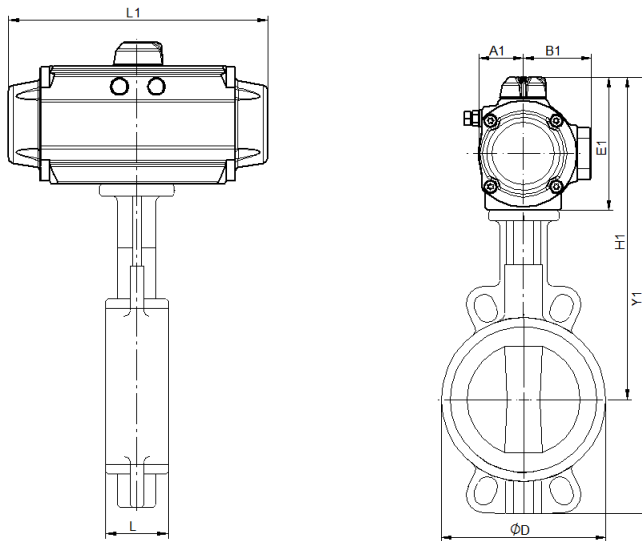
ZETKAMA Sp. z o.o.
Ul. 3 Maja 12
PL 57-410 Ścinawka Średnia

Tel. +48 74 8652 193
Tel. +48 74 8652 111
Fax +48 74 8652 199

E-mail export@zetkama.com.pl
www.zetkama.com

FIG.497

PRISMA pneumatic actuators double acting



DN	32	40	50	65	80	100	125	150	200	250	300	350	400	450	500	600
Symbol	PA00	PA00	PA00	PA05	PA05	PA05/ PA10	PA15	PA15/ PA20	PA25	PA25/ PA30	PA30/ PA40	PA40	PA40/ PA50	PA40/ PA50	PA50/ PA60	PA60
PN (MPa)	1,6	1,6	1,6	1,6	1,6	1,0/ 1,6	1,6	1,0/ 1,6	1,6	1,0/ 1,6	1,0/ 1,6	1,6	1,0/ 1,6	1,0/ 1,6	1,0/ 1,6	1,6
A1 (mm)	32	32	32	40	40	40/ 41	48	48/ 52	64	64/ 72	72/ 106	106	106/ 127,5	106/ 127,5	127,5/ 159	159
B1 (mm)	52	52	52	62	62	62/ 63	71	71/ 75	89	89/ 97	97/ 120	120	120/ 142	120/ 142	142/ 172	172
E1 (mm)	102	102	102	119	119	119/ 123	139	139/ 147	175	175/ 191	191/ 272	272	272/ 309	272/ 309	309/ 368	368
D (mm)	73	82	93	105	120	152	180	208	262	315	370	438	468,5	541	595	710
H1 (mm)	218	227	233,5	256	272	294/ 298	326	349/ 357	416	450/ 466	496/ 577	606	633/ 670	673/ 710	789/ 848	933
Y1 (mm)	278	291	308,5	346	371	399/ 403	452	491/ 499	581	653/ 669	729/ 810	866	940/ 977	1012/ 1049	1157/ 1216	1392
L1 (mm)	155	155	155	201	201	201/ 226	265	265/ 312	358	358/ 429	429/ 444	444	444/ 694	444/ 694	694/ 672	672
L (mm)	33	33	43	46	46	54	56	56	60	68	78	78	102	114	127	154
Weight (kg)	3,15	3,4	3,9	5,57	6,09	7,07/ 7,58	11,2	12,45/ 13,86	23,3	35,05/ 37,35	45,25/ 51,25	82,1	107,45/ 124,85	125/ 142,4	190,8/ 204,1	279,4

Standard equipment of the drive:

- adjustable mechanical end stops - open and closed
- mechanical position indicator
- NAMUR connection of accessories
- aluminum body + RILSAN coating (enhanced mechanical and chemical resistance)
- permitted ambient temperature from -32°C to +90°C
- ATEX

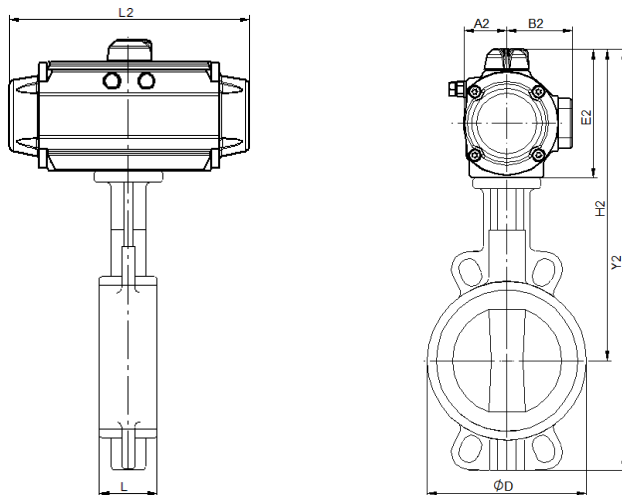
Drive accessories (on request):

- mechanical limit switches - ROTTECH RCR3/UB IP65 24VDC/230VAC
- proximity switches - ROTTECH PPF25E/UB 24VDC
- EEx mechanical limit switches - ROTTECH TCR1/T 24VDC/230VAC
- ASCO SCG551 IP65 24VDC or 230VAC control valve
- positioner with a position transmitter by Schneider, type: SRD998

Data given can be changed without notice.

Edition 01/2018

PRISMA pneumatic actuators single acting



DN	32	40	50	65	80	100	125	150	200	250	300	350	400	450	500
Symbol	PA00S/ PA05S	PA05S	PA05S	PA10S/ PA15S	PA15S	PA20S	PA25S	PA25S/ PA30S	PA30S/ PA40S	PA40S	PA40S/ PA50S	PA50S/ PA60S	PA60S	PA60S/ PA60S	PA60S
PN (MPa)	1,0/ 1,6	1,6	1,6	1,0/ 1,6	1,6	1,6	1,6	1,0/ 1,6	1,0/ 1,6	1,6	1,0/ 1,6	1,0/ 1,6	1,6	1,0	1,0
A2 (mm)	32/ 40	40	40	41/ 48	48	52	64	64/ 72	72/ 106	106	106/ 127,5	127,5/ 159	159	159	159
B2 (mm)	52/ 62	62	62	63/ 71	71	75	89	89/ 97	97/ 120	120	120/ 141	141/ 172	172	172	172
E2 (mm)	102/ 119	119	119	123/ 139	139	147	175	175/ 191	191/ 272	272	272/ 309	309/ 368	368	368	368
D (mm)	73	82	93	105	120	152	180	208	262	315	370	438	468,5	541	595
H2 (mm)	218/ 235	244	250,5	260/ 276	292	322	362	389/ 401	432/ 513	547	577/ 614	643/ 702	729	769	848
Y2 (mm)	278/ 295	308	325,5	350/ 362	391	427	488	531/ 543	591/ 678	750	810/ 847	903/ 962	1036	1108	1216
L2 (mm)	155/ 201	201	201	226/ 266	265	312	358	358/ 429	429/ 598	598	598/ 694	694/ 672	672	672	672
L (mm)	33	33	43	46	46	54	56	56	60	68	78	78	102	114	127
Weight (kg)	3,38/ 4,69	4,94	5,44	6,48/ 8,04	8,56	11,13	18,3	19,55/ 23,55	29,3/ 50,4	62,15	70,05/ 86,65	117,5/ 147,7	173,05	190,6	239

Standard equipment of the drive:

- adjustable mechanical end stops - open and closed
- mechanical position indicator
- NAMUR connection of accessories
- aluminum body + RILSAN coating (enhanced mechanical and chemical resistance)
- permitted ambient temperature from -32°C to +90°C
- ATEX

Drive accessories (on request):

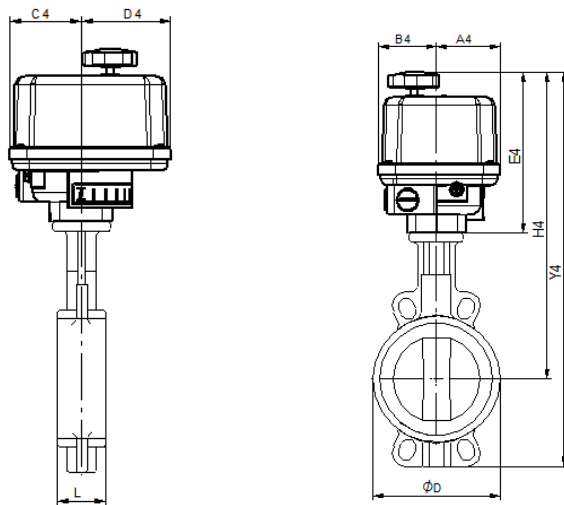
- mechanical limit switches - ROTTECH RCR3/UB IP65 24VDC/230VAC
- proximity switches - ROTTECH PPF25E/UB 24VDC
- EEx mechanical limit switches - ROTTECH TCR1/T 24VDC/230VAC
- ASCO SCG551 IP65 24VDC or 230VAC control valve
- positioner with a position transmitter by Schneider, type: SRD998

Data given can be changed without notice.

Edition 01/2018

FIG.497

Electric actuator PS AUTOMATION PSR-E



DN	32	40	50	65	80	100
Symbol	PSR-E25	PSR-E25	PSR-E25	PSR-E25/ PSR-E50	PSR-E50	PSR-E50
PN (MPa)	1,6	1,6	1,6	1,0/ 1,6	1,6	1,0
A4 (mm)	76	76	76	76	76	76
B4 (mm)	70	70	70	70	70	70
C4 (mm)	80	80	80	80	80	80
D4 (mm)	100	100	100	100	100	100
D (mm)	73	82	93	105	120	152
E4 (mm)	186	186	186	186	186	186
H4 (mm)	302	311	317,5	323	339	361
Y4 (mm)	362	375	392,5	413	438	466
L (mm)	33	33	43	46	46	54
Weight (kg)	4,25	4,5	5	5,5	6,02	7

Standard equipment of the drive:

- 230VAC supply voltage, on request 24VAC / 115VAC 50/60 Hz, 3~400V 50/60 Hz(PSR-E50), 24VDC
- electrical connection - internal terminal strip, configuration of the connector according to the wire diagram
- engine protection with automatic thermal switch
- additional 2WE limit switch - 2 potential free switching contacts, load capacity: 1 A inductive, 3 A active; supply voltage: 250VAC
- standard ambient temperature from -25°C to +70°C
- manual drive - handwheel on the drive
- degree of protection according to EN 60529 - IP 65
- any mounting position, except reversed (with connection at the top)
- anti-condensation heater inside the drive

Drive accessories (on request):

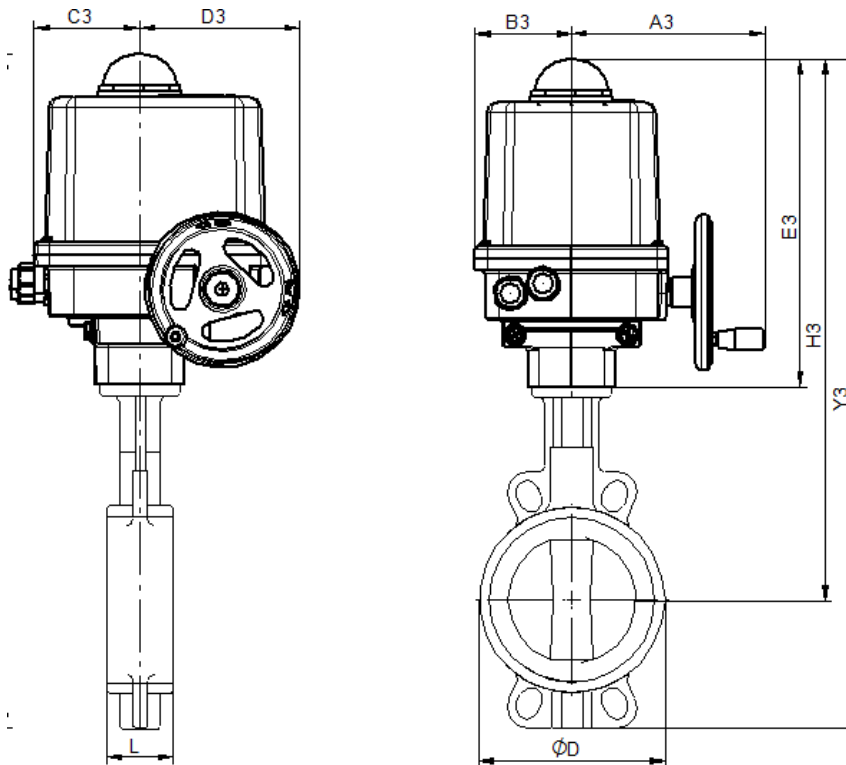
- PD potentiometer
- PSPT position transmitter: PSPT02 - 2-wire technique; PSPT03; 3-wire technique
- increased protection up to IP67

Data given can be changed without notice.

Edition 01/2018

FIG.497

Electric actuator PS AUTOMATION PSQ



DN	125	150	200	250	300	350	400	450	500	600
Symbol	PSQ-E100	PSQ- E130	PSQ203 250Nm	PSQ203 300Nm/ PSQ503 500Nm	PSQ503 500Nm/ PSQ 1503 1500Nm	PSQ503 500Nm/ PSQ 1503 1500Nm	PSQ 1503 1500Nm	PSQ 1503 1500Nm	PSQ 1503 1500Nm	PSQ 2803 2800Nm
PN (MPa)	1,6	1,6	1,6	1,0/ 1,6	1,0/ 1,6	1,0/ 1,6	1,0	1,0	1,0	1,0
A3 (mm)	172	172	214	214/ 178	178	178/ 166	166	166	166	248
B3 (mm)	89	89	93	93/ 109	109	109	109	109	109	140
C3 (mm)	87	87	87/ 96	96/ 114	114	114	114	114	114	239
D3 (mm)	119	119	180	180/ 209	209	209/ 234	234	234	234	140
D (mm)	180	208	262	315	370	438	468,5	541	595	710
E3 (mm)	268	268	355	355/ 406	406	406/ 409	409	409	409	848
H3 (mm)	455	478	596	630/ 681	711	740/ 743	770	810	889	1413
Y3 (mm)	581	620	761	833/ 884	944	1000/ 1003	1077	1149	1257	1872
L (mm)	56	56	60	68	78	78	102	114	127	154
Weight (kg)	13	14,25	25,1	36,85/ 52,75	60,65	91,5	116,85	134,4	182,8	285,1

Data given can be changed without notice.

Edition 01/2018

ZETKAMA Sp. z o.o.
Ul. 3 Maja 12
PL 57-410 Ścinawka Średnia

Tel. +48 74 8652 193
Tel. +48 74 8652 111
Fax +48 74 8652 199

E-mail export@zetkama.com.pl
www.zetkama.com

Standard equipment of the drive:

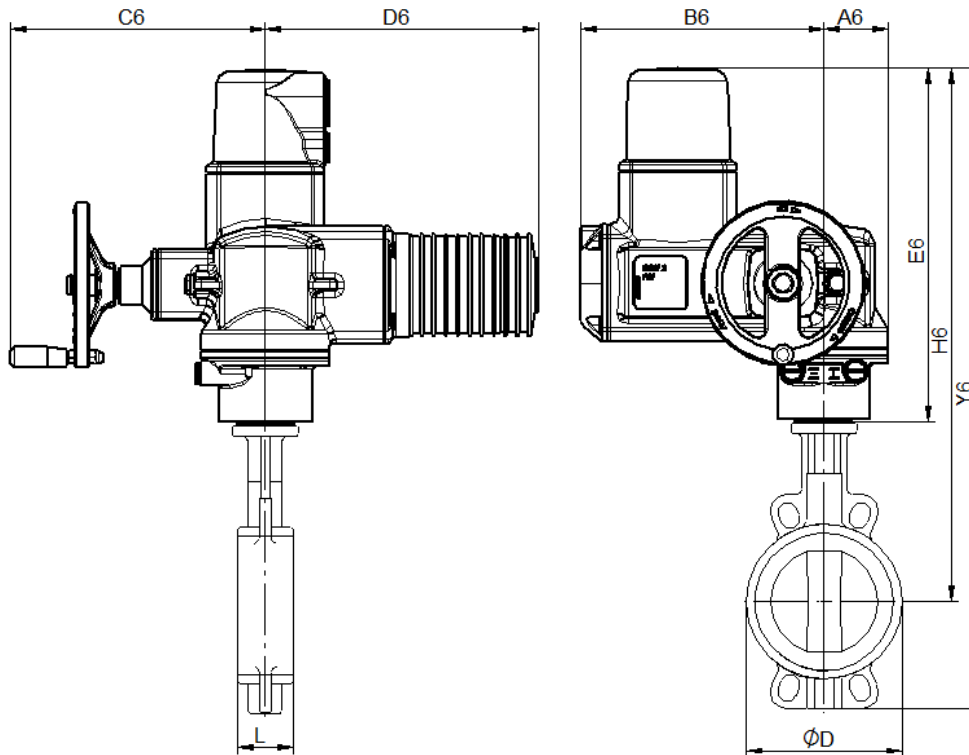
- 230VAC supply voltage, on request 24VAC / 115VAC 50/60 Hz, 3~400V 50/60 Hz(PSR-E50), 24VDC
- electrical connection - internal terminal strip, configuration of the connector according to the wire diagram
- engine protection with automatic thermal switch
- additional 2WE limit switch - 2 potential free switching contacts, load capacity: 1 A inductive, 3 A active; supply voltage: 250VAC
- standard ambient temperature from -25°C to +80°C
- manual drive - handwheel on the drive
- degree of protection according to EN 60529 - IP 67
- any mounting position, except reversed (with connection at the top)
- anti-condensation heater inside the drive

Drive accessories (on request):

- additional limit switches - 2WE
- additional gold limit switches - 2WE Gold
- additional torque switches - 2DE
- additional golden torque switches - 2DE Gold
- position regulator – PSAP
- position sensor -PSPT
- potentiometer – PD
- Module of reversing contactors - WSM01
- corrosion protection - K2
- degree of protection IP68

FIG.497

Electric actuator AUMA SQ



DN	32	40	50	65	80	100	125	150	200	250	300	350	400	450	500
Symbol	SQ5.2	SQ5.2	SQ5.2	SQ5.2	SQ5.2	SQ5.2	SQ5.2	SQ5.2	SQ7.2	SQ7.2/ 10.2	SQ10.2	SQ10.2/ SQ12.2	SQ12.2/ 14.2	SQ14.2	SQ14.2
PN (MPa)	1,6	1,6	1,6	1,6	1,6	1,6	1,6	1,6	1,6	1,0/ 1,6	1,6	1,0/ 1,6	1,0/ 1,6	1,6	1,6
A6 (mm)	62	62	62	62	62	62	62	62	62	62/ 80	80	80/ 105	105/ 112	112	112
B6 (mm)	238	238	238	238	238	238	238	238	238	238/ 248	248	248	248	248	248
C6 (mm)	249	249	249	249	249	249	249	249	249	249/ 254	254	254	254	254	254
D6 (mm)	265	265	265	265	265	265	265	265	265	265	265	265	265	265	265
D (mm)	73	82	93	105	120	152	180	208	262	315	370	438	468,5	541	595
E6 (mm)	344	344	344	344	344	344	344	344	344	344/ 361	361	361/ 385	385/ 447	447	447
H6 (mm)	460	469	475,5	481	497	519	531	554	585	619/ 636	666	695/ 719	746/ 808	848	927
Y6 (mm)	520	533	550,5	571	596	624	657	696	750	822/ 839	899	955/ 979	1053/ 1115	1187	1295
L (mm)	33	33	43	46	46	54	56	56	60	68	78	78	102	114	127
Weight (kg)	22,75	23	23,5	24	24,52	25,5	28	29,25	35	46,75/ 51,75	59,65	90,5/ 99,5	124,85/1 33,85	151,4	199,75

Data given can be changed without notice.

Edition 01/2018

ZETKAMA Sp. z o.o.
Ul. 3 Maja 12
PL 57-410 Ścinawka Średnia

Tel. +48 74 8652 193
Tel. +48 74 8652 111
Fax +48 74 8652 199

E-mail export@zetskama.com.pl
www.zetskama.com

Standard equipment of the drive:

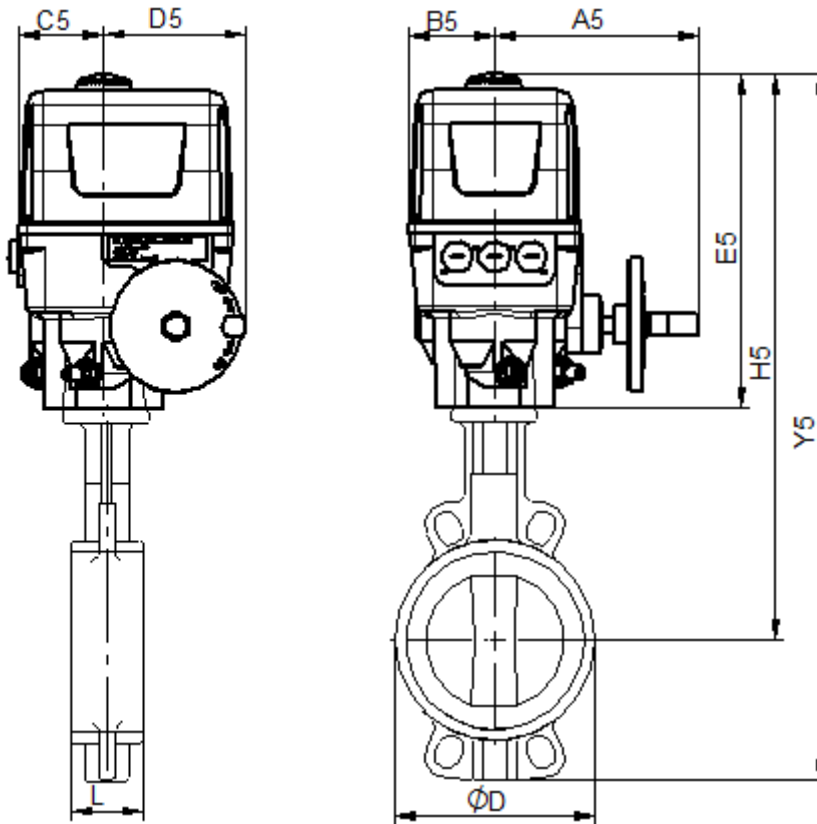
- 230VAC supply voltage, on request 24 VAC / 115 VAC 50/60 Hz, 3~400V 50/60 Hz, 24 VDC
- Electrical connection to the terminal strip
- Optical position indicator
- Manual control
- degree of protection IP68
- 2 torque microswitches
- 2 road microswitches
- anti-condensation heater inside the drive 110V-250V AC/DC
- Thermal engine protection - thermal overload protection (NC)
- any mounting position, except reversed (with connection at the top)

Drive accessories (on request):

- Electronic current signal transmitter RWG (4-20 mA)
- AM and AC actuator controls.
- Tandem road microswitches
- Tandem torque microswitches
- Profibus DP (PSPDP) or CAN Open (PSCA) - interfaces integrated in the drive
- Profibus DP (PSPDP) or CAN Open (PSCA) - interfaces integrated in the drive

FIG.497

Electric actuator AUMA ED, EQ



DN	32	40	50	65	80	100	125	150	200
Symbol	ED25	ED25	ED25	ED25/ ED50	ED50	ED50/ EQ100	EQ100	EQ150	EQ300
PN (MPa)	1,6	1,6	1,6	1,0/ 1,6	1,6	1,0/ 1,6	1,6	1,6	1,6
A5 (mm)	66	66	66	66	66	66/ 155	155	155	155
B5 (mm)	65	65	65	65	65	65	65	65	65
C5 (mm)	68	68	68	68	68	68/ 71	71	71	71
D5 (mm)	98	98	98	98	98	98	98	98	98
D (mm)	73	82	93	105	120	152	180	208	262
E5 (mm)	220	220	220	220	220	220/ 274	274	274	274
H5 (mm)	336	345	351,5	357	373	395/ 449	461	484	515
Y5 (mm)	396	409	426,5	443	466	500/ 554	581	626	684
L (mm)	33	33	43	46	46	54	56	56	60
Weight (kg)	5,75	6	6,5	7	7,5	8,5/ 12	14,5	15,75	21,5

Data given can be changed without notice.

Edition 01/2018

ZETKAMA Sp. z o.o.
Ul. 3 Maja 12
PL 57-410 Ścinawka Średnia

Tel. +48 74 8652 193
Tel. +48 74 8652 111
Fax +48 74 8652 199

E-mail export@zetkama.com.pl
www.zetkama.com

Standard equipment of the ED25 and ED50 drive:

- 230VAC supply voltage, on request 24 VAC/115 VAC 50/60 Hz, 3~400V 50/60 Hz, 24 VDC
- electrical connection - internal terminal strip, configuration of the connector according to the wire diagram
- Switching off in end positions - 2 road microswitches, max. 250V AC, resistive load - max. 10A, inductive load - max. 5A
- any mounting position, except reversed (with connection at the top)
- Manual drive via an Allen key on the outside and inside of the drive
- standard ambient temperature from -20°C to +60°C
- degree of protection according to EN 60529 IP 67

ED25 i ED50 drive accessories (on request):

- Two single limit switches for signaling end or intermediate positions 2WE
- Two single, gold-plated microswitches for signaling end or intermediate positions 2WE-G
- Single potentiometer 100/130/200/500/1000/5000/10000 Ω, max. 1,5W, current on the contacts 30mA; POT
- 1k Ω / 5k Ω potentiometer (conductive plastic) L-POT
- Electronic position transmitter - (0) 4... 20mA converted from the potentiometer, power supply 24VDC ESR100
- Anti-condensation heater with thermostat, max. 15W, U supply = 24,115,230 VAC/50Hz; HZ/WP
- Positioner - input 0 ... 10 V, 0 (4) ... 20 mA, output 0 ... 10 V, 0 (4) ... 20 mA (AC) PEL
- Reversing contactors installed in a separate WSE housing
- Local control panel with switches MANUAL/AUTO and VSE OPEN/CLOSE
- Separate 32-pin connector installed on ASK drive

Standard equipment of the EQ drive:

- 230VAC supply voltage, on request 24VAC/115 VAC50/60 Hz, 3~400V 50/60 Hz, 24VDC
- electrical connection - internal terminal strip, configuration of the connector according to the wire diagram
- End positions - mechanical end stop, adjustable from outside
- Switching in end positions 2 torque switches, max. 250 V AC, resistive load - max. 10 A, inductive load - max. 5 A
- Switching off in end positions 2 limit switches, max. 250 V AC, resistive load - max. 10 A, inductive load - max. 5 A
- any mounting position, except reversed (with connection at the top)
- standard ambient temperature from -20°C to +60°C. Low temperature version from -25°C do +60°C
- Manual drive - handwheel on the drive
- degree of protection according to EN 60529 IP67

EQ drive accessories (on request):

- Two single limit switches for signaling end or intermediate positions 2WE
- Two single, gold-plated microswitches for signaling end or intermediate positions 2WE-G
- Two single 2DE torque microswitches
- Single potentiometer 100/130/200/500/1000/5000/10000 Ω, max. 1,5W, current on the contacts 30mA; POT
- Dual potentiometer 100/130/200/500/1000/5000/10000 Ω, max. 1,5W, current on the contacts 30mA; 2POT
- 1k Ω / 5k Ω potentiometer (conductive plastic) L-POT
- Explosion proof execution: Ex II 3D IP65 T 150°C Dc A-EX
- Electronic position transmitter - (0) 4... 20mA converted from the potentiometer, power supply 24VDC ESR100
- Position feedback signal, HI-SENSE non-contact distance measurement
- Anti-condensation heater with thermostat, max. 15W, U supply = 24,115,230 VAC/50Hz; HZ/WP
- Positioner - input 0 ... 10 V, 0 (4) ... 20 mA, output 0 ... 10 V, 0 (4) ... 20 mA (AC) PEL
- Positioner - input 0 ... 10 V, 0 (4) ... 20 mA, output 0 ... 10 V, 0 (4) ... 20 mA (3~400 AC) PEL-DS.
- Positioner - input 0 ... 10 V, 0 (4) ... 20 mA, output 0 ... 10 V, 0 (4) ... 20 mA (DC) PEL-GL

Data given can be changed without notice.

Edition 01/2018

- Profibus DP-V0 module in the housing built on the PDB100 drive
- LA-TR special coating for tropical applications
- degree of protection according to EN 60529 IP68 A-IP68
- Reversing contactors installed in a separate WSE housing
- Local control panel with switches MANUAL/AUTO and VSE OPEN/CLOSE
- Low temperature version to -40°C A-TT
- 3.1B A-PR manufacturer's certificate

KV [m³/h] DEPENDING OF ANGLE OPENING DISC

DN	90°	80°	70°	60°	50°	40°	30°	20°	10°
32	78	72	48	30	18	10	5	2	0,04
40	78	72	48	30	18	10	5	2	0,04
50	98	90	60	38	23	13	6	3	0,05
65	167	152	102	64	38	21	10	5	0,09
80	258	235	156	99	60	33	15	8	0,17
100	512	468	310	196	118	67	31	15	0,26
125	872	793	529	334	202	113	52	25	0,43
150	1347	1226	817	516	312	175	81	38	0,68
200	2675	2434	1623	1025	620	348	160	76	1,7
250	4555	4145	2764	1746	1055	592	273	129	2,6
300	7037	6403	4269	2697	1630	914	422	200	3,4
350	10165	9250	6167	3897	2355	1321	610	288	5,1
400	13799	12720	8481	5359	3239	1817	839	396	6,8
450	18514	16848	11232	7097	4289	2407	1101	525	9,4
500	23805	21662	14442	9125	5515	3095	1428	675	11,9
600	36778	33468	22312	14098	8521	4781	2207	1042	18,8

Data given can be changed without notice.

Edition 01/2018

OPERATING TORQUE IN NM TO CLOSE THE VALVES DEPENDING ΔP (BAR)

DN	10 bar	16 bar
32	9	10
40	11	12
50	15	16
65	24	26
80	31	33
100	48	53
125	73	81
150	106	119
200	177	194
250	281	308
300	410	595
350	475	969
400	746	1307
450	1112	1787
500	1356	2268
600	2468	3711

Data given can be changed without notice.

Edition 01/2018

ZETKAMA Sp. z o.o.
Ul. 3 Maja 12
PL 57-410 Ścinawka Średnia

Tel. +48 74 8652 193
Tel. +48 74 8652 111
Fax +48 74 8652 199

E-mail export@zetkama.com.pl
www.zetkama.com

TYPE

Figure	Body material	Nominal diameter	Nominal pressure	Type
497	B Nodular cast iron EN-GJS-400-15	32-300 mm	C 16 bar	disc - nodular cast iron, catch lever, EPDM sealing 67
		350-600 mm	B 10 bar	disc - nodular cast iron, catch lever, EPDM sealing 67
		32-300 mm	C 16 bar	disc - stainless steel, catch lever, EPDM sealing 68
		350-600 mm	B 10 bar	disc - stainless steel, catch lever, EPDM sealing 68
		100-300 mm	C 16 bar	disc - nodular cast iron, gearbox, EPDM sealing D6
		350-600 mm	B 10 bar	disc - nodular cast iron, gearbox, EPDM sealing D6
		100-300 mm	C 16 bar	disc - stainless steel, gearbox, EPDM sealing A6
		350-600 mm	B 10 bar	disc - stainless steel, gearbox, EPDM sealing A6
		32-300 mm	C 16 bar	disc - nodular cast iron, EPDM sealing, electric actuator AUMA SQ I6-AA
		350-500 mm	B 10 bar	disc - nodular cast iron, EPDM sealing, electric actuator AUMA SQ I6-AA
		32-200 mm	C 16 bar	disc - nodular cast iron, EPDM sealing, electric actuator AUMA ED I6-AB
		32-300 mm	C 16 bar	disc - stainless steel, EPDM sealing, electric actuator AUMA SQ G6-AA
		350-500 mm	B 10 bar	disc - stainless steel, EPDM sealing, electric actuator AUMA SQ G6-AA
		32-200 mm	C 16 bar	disc - stainless steel EPDM sealing, electric actuator AUMA ED G6-AB
		32-300 mm	C 16 bar	disc - nodular cast iron, EPDM sealing, electric actuator PS AUTOMATION I6-PA
		350-500 mm	B 10 bar	disc - nodular cast iron, EPDM sealing, electric actuator PS AUTOMATION I6-PA
		32-300 mm	C 16 bar	disc - stainless steel, EPDM sealing, electric actuator PS AUTOMATION G6-PA
		350-500 mm	B 10 bar	disc - stainless steel, EPDM sealing, electric actuator PS AUTOMATION G6-PA
		32-300 mm	C 16 bar	disc - nodular cast iron, EPDM sealing, pneumatic actuators single acting PRISMA I6-JA
		350-600 mm	B 10 bar	disc - nodular cast iron, EPDM sealing, pneumatic actuators single acting PRISMA I6-JA
		32-300 mm	C 16 bar	disc - nodular cast iron, EPDM sealing, pneumatic actuators double acting PRISMA I6-JB
		350-600 mm	B 10 bar	disc - nodular cast iron, EPDM sealing, pneumatic actuators double acting PRISMA I6-JB
		32-300 mm	C 16 bar	disc - stainless steel, EPDM sealing, pneumatic actuators single acting PRISMA G6-JA
		350-600 mm	B 10 bar	disc - stainless steel, EPDM sealing, pneumatic actuators single acting PRISMA G6-JA
		32-300 mm	C 16 bar	disc - stainless steel, EPDM sealing, pneumatic actuators double acting PRISMA G6-JB
		350-600 mm	B 10 bar	disc - stainless steel, EPDM sealing, pneumatic actuators double acting PRISMA G6-JB

Data given can be changed without notice.

Edition 01/2018

ORDERING

Figure	Body material	Nominal diameter	Nominal pressure	Type
497	B Nodular cast iron EN-GJS-400-15	32-300 mm	C 16 bar	67 disc - nodular cast iron, catch lever, EPDM sealing

Order example acc. index

497 B 050 C 67

Butterfly valve, ends wafer type, form straight
 Nodular cast iron EN-GJS-400-15
 Nominal diameter (mm)
 Nominal pressure PN 16
 Disc - nodular cast iron, catch lever, EPDM sealing

497
 B
 050
 C
 67

Data given can be changed without notice.

Edition 01/2018

FIG.497

BUTTERFLY VALVE zBUT



Body material	Nominal pressure	Nominal diameter	Max. temperature
A Grey cast iron	C 16 bar	32-150	210°C*
	B 10 bar	200-1200	
B Nodular cast iron	C 16 bar	32-150	
	B 10 bar	200-1200	

* max. temperature depends on the used materials



correspond to the pressure equipment directive 2014/68/UE

FEATURES

- high tightness class - A acc. to EN - 12266 – 1
- compact settlement
- environment-friendly
- tests acc. to EN - 12266 - 1
- face-to-face dimension according to EN 558 series 20
- Epoxy RAAL 5002 150 µm
- sealing EPDM/ NBR/ FLUCAST/ SILICONE/ VITON/ HYPALON/ EPICHLOROHYDRIN/ NEOPREN/ BUTYL
- discs NODULAR CAST IRON/ STAINLESS STEEL/ ALUMINIUM/ BRONZE/ ALU-BRONZE/ CAST STEEL/ DUPLEX/ SUPERDUPLEX

APPLICATION *

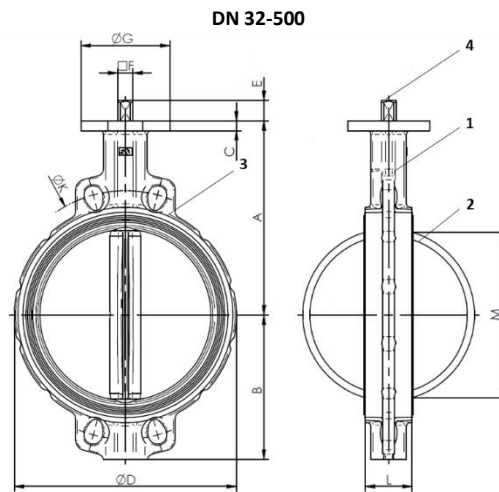
* not all of the applications are suitable for all of the executions

industries									
	INDUSTRY	SHIPBUILDING INDUSTRY	FOOD INDUSTRY	CHEMICAL INDUSTRY	HEATING	REFRIGERATION AND AIR CONDITIONING	PETROCHEMICAL INDUSTRY	POWER ENGINEERING	
	media								
		GLYCOL	SEWAGE	DRINKING WATER	STEAM	INDUSTRIAL WATER	COMPRESSED AIR	NEUTRAL FLUIDS	

Data given can be changed without notice.

Edition 01/2018

MATERIALS, DIMENSIONS



Body material		B					
Type		26	66	C6	06	36	A6
1	Body *	EN-GJS-400-15 5.3106 (ex.JS1030 + Epoxy)					
2	Disc**	EN-GJS-400-15 5.3106 (ex.JS1030 + Epoxy)			1.4408		
3	Seat***	EPDM					
4	Stem	1.4005					
Operation		Bare shaft	Catch lever	Gearbox	Bare shaft	Catch lever	Gearbox
Max. temperature		110°C					

* other body materials on request

** other disc materials on request

*** other seat materials on request

DN	32	40	50	65	80	100	125	150	200	250	300	350	400	450	500
A (mm)	103	110	120	135	141	165	180	193	225	283	308	339	380	381	433
B (mm)	60	58	61	69	94	106	126	133	170	210	240	263	308	340	380
C (mm)	8	10	10	10	10	10	12	12	12	14	14	16	18	20	20
D (mm)	68	76	100	108	124	147	180	206	257	324	376	422	480	536	593
E (mm)	30	30	30	30	30	30	33	33	33	30	30	31	31	38	38
F (mm)	11	11	11	11	11	11	14	14	17	22	22	22	27	36	36
G (mm)	90	90	90	90	90	90	90	90	90	130	130	160	160	190	210
K (mm) (PN16)	100	110	125	145	160	180	210	240	295	355	410	470	525	585	650
M (mm)	14	26	29	46	65	90	112	139	191	241	290	338	387	434	478
L (mm)	33	33	43	46	46	52	56	56	60	68	78	78	102	114	127
ISO	F-07	F-07	F-07	F-07	F-07	F-07	F-07	F-07	F-07	F-10	F-10	F-10	F-12	F-14	F-14
Operating torque (Nm)	15	15	17	25	28	50	85	110	140	270	390	500	897	1450	1800
Weight (kg)	1,5	1,6	2,4	2,7	3,2	4,0	6,2	7,3	11	20	30	35	56	80	114

Data given can be changed without notice.

Edition 01/2018

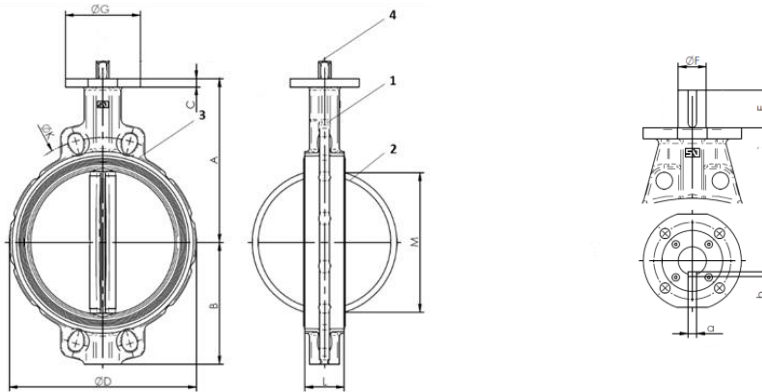
ZETKAMA Sp. z o.o.
Ul. 3 Maja 12
PL 57-410 Ścinawka Średnia

Tel. +48 74 8652 193
Tel. +48 74 8652 111
Fax +48 74 8652 199

E-mail export@zetkama.com.pl
www.zetkama.com

FIG.497

DN 600-1200



Body material		B			
Type		26	C6	06	A6
1	Body *	EN-GJS-400-15 5.3106 (ex.JS1030 + Epoxy)			
2	Disc**	EN-GJS-400-15	5.3106 (ex.JS1030+ Epoxy)	1.4408	
3	Seat***	EPDM			
4	Stem	1.4005			
Operation		Bare shaft	Gearbox	Bare shaft	Gearbox
Max. temperature		110°C			

* other body materials on request

** other disc materials on request

*** other seat materials on request

DN	600	700	750	800	900	1000	1100	1200
A (mm)	494	560	580	630	695	770	815	875
B (mm)	440	485	530	565	610	675	733	818
C (mm)	24	25	25	27	32	32	32	40
D (mm)	690	780	836	902	1010	1116	1215	1334
E (mm)	80	106	106	106	110	110	110	110
F (mm)	60	65	80	80	80	80	80	100
G (mm)	210	300	300	300	350	350	350	350
K (mm) (PN10)	725	840	900	950	1050	1160	1270	1380
M (mm)	570	660	705	763	866	966	1054	1153
L (mm)	154	165	190	190	203	216	216	254
a x b	18x11	18x11	22x14	22x14	22x14	22x14	22x14	28x16
ISO	F16	F25	F25	F25	F25	F25	F25	F30
Operating torque (Nm)	3450	5000	5500	6500	8500	11500	12000	15500
Weight (kg)	170,6	252	295	347	457	580	716	959

Data given can be changed without notice.

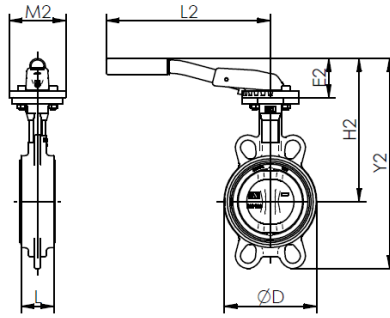
Edition 01/2018

ZETKAMA Sp. z o.o.
Ul. 3 Maja 12
PL 57-410 Ścinawka Średnia

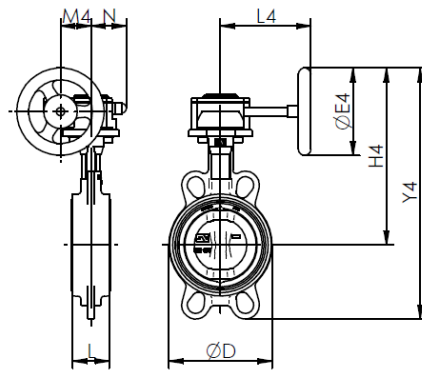
Tel. +48 74 8652 193
Tel. +48 74 8652 111
Fax +48 74 8652 199

E-mail export@zetkama.com.pl
www.zetkama.com

FIG.497



N	32	40	50	65	80	100	125	150	200
D (mm)	68	76	100	108	124	147	180	206	257
E 2 (mm)	49	49	49	49	60	60	75	75	75
L (mm)	33	33	43	46	46	52	56	56	60
H 2 (mm)	151,5	159	169	184	201	225	255	268	300
Y 2 (mm)	212	215	231	253	295	331	382	401	470
L 2 (mm)	220	220	220	220	260	260	315	315	315
M 2(mm)	90	90	90	90	90	90	90	90	90
Weight (kg)	1,9	2,1	2,9	3,1	3,7	4,5	6,8	7,8	11,7



DN	D	L	E4	H4	Y4	L4	M4	N	Weight (kg)
32	68	33	125	190	250	129	43,5	50,5	2,8
40	76	33	125	198	254	129	43,5	50,5	2,9
50	100	43	125	208	269	129	43,5	50,5	3,7
65	108	46	125	223	282	129	43,5	50,5	4,0
80	124	46	125	229	323	129	43,5	50,5	4,4
100	147	52	125	253	359	129	43,5	50,5	5,2
125	180	56	160	286	412	135	43,5	50,5	7,6
150	206	56	160	298	431	135	43,5	50,5	8,7
200	257	60	200	355	525	152	52,5	59	13,7
250	324	68	250	442	652	222	61,5	70,5	23,7
300	376	78	250	468	708	222	61,5	70,5	33,0
350	422	78	250	498	762	222	61,5	70,5	38,7
400	480	102	300	572	880	277	68,8	72,5	64,5
450	538	114	400	630	970	321	96,5	91,5	99
500	593	127	400	682	1062	321	98,5	91,5	133
600	690	154	500	798	1239	408	138	140	208
700	780	185	500	914	1400	408	138	140	265
750	836	190	600	944	1474	456	138	140	271
800	902	190	700	1044	1608	510	180	156	408
900	1010	203	700	1108	1718	510	180	156	521
1000	1116	216	700	1184	1858	579	180	156	648
1100	1215	216	700	1250	1962	593	252	226	913
1200	1324	254	700	1310	1983	593	252	228	1161

Data given can be changed without notice.

Edition 01/2018

ZETKAMA Sp. z o.o.
Ul. 3 Maja 12
PL 57-410 Ścinawka Średnia

Tel. +48 74 8652 193
Tel. +48 74 8652 111
Fax +48 74 8652 199

E-mail export@zetskama.com.pl
www.zetskama.com

KV [m³/h] DEPENDING OF ANGLE OPENING DISC

DN	90°	80°	70°	60°	50°	40°	30°	25°
32	45	37	29	19	12	6	2	-
40	68	60	38	22	15	9	4,3	2,5
50	112	90	60	45	23	14	7,7	5
65	172	138	90	70	36	22	12,9	8,6
80	258	207	138	110	54	33	19	13
100	474	410	260	200	103	63	36	24
125	970	860	540	420	215	133	76	52
150	1680	1420	890	690	353	215	146	125
200	2800	2350	1510	1120	603	360	215	146
250	4310	3700	3190	1850	990	580	336	224
300	6465	5215	3490	2670	1380	860	475	327
350	8620	6980	4395	3535	1896	1120	645	430
400	10775	9310	5600	4395	2285	1465	775	560
450	15086	12700	7930	6120	3190	1980	1077	775
500	18965	15085	9900	7500	3965	2415	1380	970
600	24137	20700	14225	10130	5260	3275	1895	1293
700	36000	25300	17100	10600	5980	3860	1990	1350
750	40500	27400	18400	11450	7150	4350	2125	1560
800	44000	29000	20000	12500	8200	4500	2200	1600
900	58000	42000	29000	17500	10400	6100	2300	1800
1000	80500	59200	37500	23000	13500	8700	3800	2500
1100	97586	72540	54560	28560	18210	10560	6350	4450
1200	110500	82000	61500	35500	22600	12500	7800	5400

OPERATING TORQUE IN NM TO CLOSE THE VALVES DEPENDING ΔP (BAR)

DN	3 bar	6 bar	10 bar	16 bar
32	5	6	9	15
40	5	6	9	15
50	5	7	13	17
65	15	16	20	25
80	17	20	23	28
100	22	29	42	50
125	39	46	72	85
150	48	75	90	110
200	90	120	140	215
250	126	210	270	350
300	161	270	390	560
350	245	300	500	950
400	520	600	700	1000
450	590	1120	1450	1950
500	840	1390	1800	2500
600	1000	2200	3450	3800
700	1650	3300	5000	5860
750	1800	3500	5500	6000
800	2300	4600	6500	9500
900	4700	6800	8500	11500
1000	6500	8500	11500	15000
1100	7000	9000	12000	16000
1200	8500	12000	15500	22000

Data given can be changed without notice.

Edition 01/2018

PARTS MATERIALS

Disc

Material	Standard	Application
Stainless steel	1.4308	Chemical products/ nourishing products
Stainless steel	1.4408	Demineralized water/ chemical products/ nourishing products
Stainless steel	1.4404	Chemical and nourishing products/ sea water/ demineralized water
Aluminium	En-AC-44100	Cold water/ air
Bronze tin	CuSn10-C	Sea water
Bronze-aluminium	CuAl10Fe5Ni5-C	Sea water
Cast steel	GP240GH	Water/ gas
Nodular cast iron	EN-GJS-400-15 5.3106	Hot water / air/ gas
Nodular cast iron + EPDM	EN-GJS-400-15 + EPDM 5.3106	Powdery products/ pneumatic transport/ sea water
Duplex	1.4517	Chemical products
Superduplex	1.4469	Sea water/ corrosive atmospheres

Seat

Material	Application	Temperature range	
EPDM (Ethylene propylene)	Water/ sea water/ weak acids and basis / glycol	-40°C	+110°C
EPDM HT (EDM high temp.)	Heating without steam water	+80°C	+130°C
NBR (nitrile)	Mineral oils/ vegetables oils/ greases	-40°C	+90°C
Flucast AB/P	Abrasive powdered products	-10°C	+90°C
Flucast AB/E	Oxygenated solvents ketones esters with abrasion	-20°C	+95°C
Flucast AB/N	Mineral oils/ vegetables oils/ greases/ abrasives	-10°C	+100°C
Silicone	Air and hot water without steam	-60°C	+200°C
Food silicone	Nourishing and milky products	-60°C	+200°C
Steam silicone	steam	-60°C	+140°C
Viton	Acids/ high temperature	-15°C	+210°C
Biodisel Viton	Biodiesel	-5°C	+210°C
Viton GF Gasoline	Oxygenate gasoline	-5°C	+210°C
Hypalon	Water/ diluted bases	-25°C	+120°C
Epichlorohydrin	Brine systems	-40°C	+125°C
Neoprene	Sea water	-25°C	+80°C
Butyl	Gas	-10°C	+95°C
Flucast extreme	Water / steam / acids	-5°C	+200°C

Data given can be changed without notice.

Edition 01/2018

FIG.497

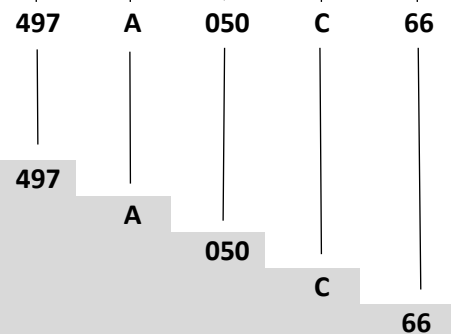
TYPE

Figure	Body material	Nominal diameter	Nominal pressure	Type
497	A Grey cast iron EN-GJL-250	32-150 mm	C 16 bar	66 disc - ductile iron; covered by epoxy layer; EPDM sealing; catch lever
		200-300 mm	B 10 bar	66 disc - ductile iron; covered by epoxy layer; EPDM sealing; catch lever
		350-1200 mm	B 10 bar	26 disc - ductile iron; covered by epoxy layer; EPDM sealing; bare shaft – for the actuator
		32-150 mm	C 16 bar	36 disc - stainless steel; EPDM sealing; catch lever
		200-300 mm	B 10 bar	36 disc - stainless steel; EPDM sealing; catch lever
		350-1200 mm	B 10 bar	06 disc - stainless steel; EPDM sealing; , bare shaft - for the actuator
497	B Nodular cast iron EN-GJS-400-15	32-150 mm	C 16 bar	66 disc - ductile iron; covered by epoxy layer; EPDM sealing; catch lever
		200-300 mm	B 10 bar	66 disc - ductile iron; covered by epoxy layer; EPDM sealing; catch lever
		350-1200 mm	B 10 bar	26 disc - ductile iron; covered by epoxy layer; EPDM sealing; bare shaft – for the actuator
		32-150 mm	C 16 bar	36 disc - stainless steel; EPDM sealing; catch lever
		200-300 mm	B 10 bar	36 disc - stainless steel; EPDM sealing; catch lever
		350-1200 mm	B 10 bar	06 disc - stainless steel; EPDM sealing; , bare shaft - for the actuator

ORDERING

Figure	Body material	Nominal diameter	Nominal pressure	Type
497	A Grey cast iron EN-GJL-250	32-150 mm	C 16 bar	66 disc - ductile iron; covered by epoxy layer; EPDM sealing; catch lever

Order example acc. index



497 A 050 C 66

497

A

050

C

66

Butterfly valve, ends wafer type, form straight
 Grey cast iron EN-GJL-250
 Nominal diameter (mm)
 Nominal pressure PN 16
 Disc - ductile iron; covered by epoxy layer; EPDM sealing; catch lever

Data given can be changed without notice.

Edition 01/2018